

MOTOR DATA @ 230 VAC (SINE)

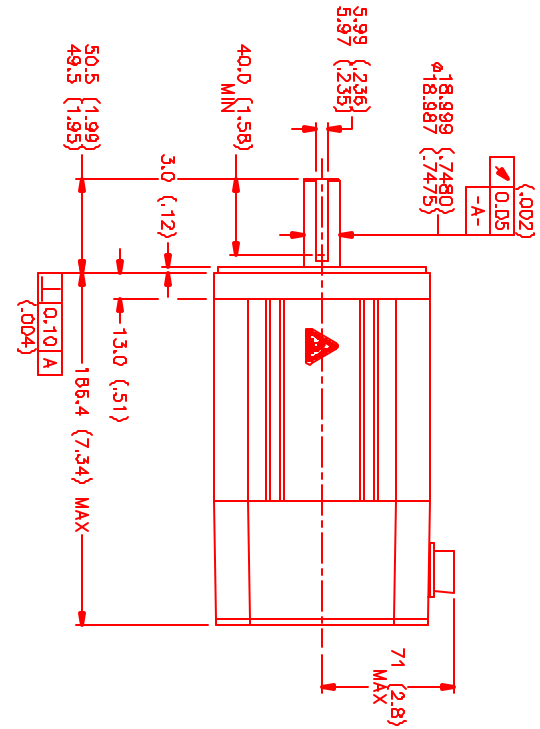
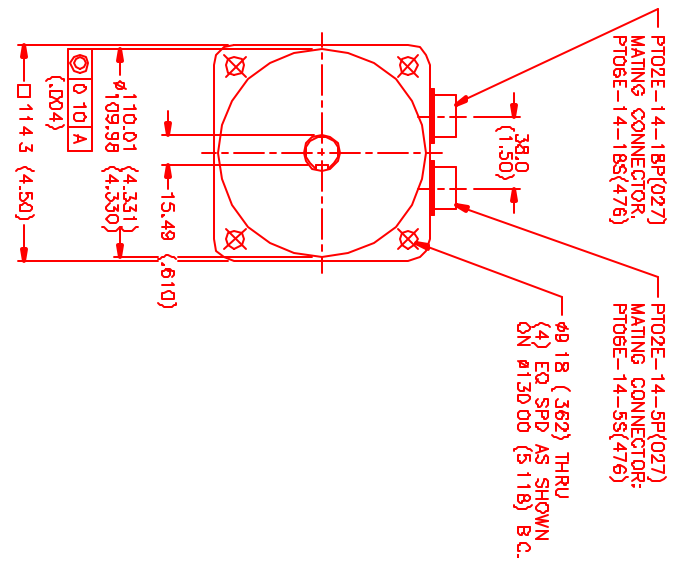
MOTOR PARAMETERS	UNITS	VALUE
MOTOR HORSEPOWER	HP RATED	1.3
	KW RATED	1.0
MAX OPERATING SPEED	N MAX	3600
SPEED @ RATED TORQUE	N RATED	3000
* CONTINUOUS RATED TORQUE @ 3000 RPM	IN-LBS(Nm)	28.0(3.2)
* CONTINUOUS STALL TORQUE	IN-LBS(Nm)	38.0(4.3)
CONTINUOUS LINE CURRENT	AMPS(RMS/Φ)	4.2
PEAK CURRENT	IN-LBS(Nm)	114.0(12.9)
MAX THEORETICAL ACCEL	AMPS(RMS/Φ)	12.7
TORQUE SENSITIVITY	READ/SEC²	60.000
BACK EMF (LINE TO LINE)	KT	8.8(1.99)
D.C. RESISTANCE (P-P)	Ω/MS	57.0
INDUCTANCE (P-P)	MILLIHENRIES	3.2
ROTOR INERTIA	μm(IN-LBS-SEC²/KG-M²)	15.3
STATIC FRICTION	μf(IN-LBS(Nm))	.0019(.00021)

*25°C AMBIENT WITH A MAXIMUM CASE TEMPERATURE OF 100°C ON MOTOR. MOTOR MOUNTED ON A 12" X 12" X 1/2" ALUMINUM HEATSINK. THERMOSTAT IN STATOR WINDINGS WILL OPEN IF WINDING TEMPERATURE EXCEEDS 155°C. THIS ALLOWS FOR AN APPROXIMATE +10% HEADROOM IN THE CONTINUOUS TORQUE RATING BEFORE THERMOSTAT OPENS.

MECHANICAL NOTES:

- AXIAL LOAD: 50 LBS MAX
- RADIAL LOAD: 100 LBS MAX @ 1" FROM FACE
- MOTOR SEALED TO IP65
- MOTOR WEIGHT: 12.6 LBS. [5.7 kg]
- MOTOR FINISH: BLACK EPOXY
- MOTOR OUTPUT SHAFT: STAINLESS STEEL
- MILLIMETERS (INCHES)

ENCODER: (290-0D101)
01H48-3000P8-L6-5V



CONNECTION CHART

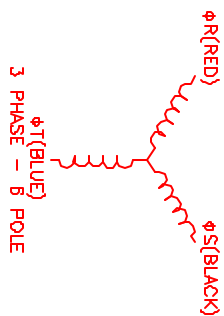
MOTOR CONNECTOR:
PTO2E-14-5P(027)
(270-00026)

PIN	WIRE FUNCTION	WIRE COLOR
A	ΦR	RED
B	ΦS	BLACK
C	ΦT	BLUE
D	PE GND	GRN/YEL
E	-	-

ENCODER/THERM CONNECTOR:

PTO2E-14-18P(027)
(270-00024)

PIN	WIRE FUNCTION	WIRE COLOR
T	GROUND	BLACK
K	+5VDC	RED
B	CH A	BLUE
C	CH A\	BLUE/BLK
N	CH B	GREEN
P	CH B\	GRN/BLK
M	CH Z	YELLOW
U	CH Z\	YEL/BLK
E	CH U	BROWN
R	CH U\	BRN/BLK
F	CH V	GRAY
S	CH V\	GRAY/BLK
G	CH W	WHITE
H	CH W\	WHI/BLK
D	GND/CABLE	SHLD
A	THERM	BLACK
L	THERM	BLACK
J	GND	GRN/YEL



MOTOR & HALL POSITION CHART

HALL LEADS	BROWN	GRAY	WHITE
MOTOR LEADS	BLACK (connect to RED)	RED (connect to BLUE)	BLUE (connect to BLACK)

MOTOR ROTATION CCW (COUNTER CLOCKWISE)
(LOOKING AT THE FACE OF THE MOTOR)



NO.	PART NUMBER	DESCRIPTION	QTY.
1	290-0D101	Encoder	1
2	PTO2E-14-5P(027)	Motor Connector	1
3	PTO2E-14-18P(027)	Encoder Connector	1

REV.	DESCRIPTION	DATE	APP.
1	PRELIMINARY	2/28/02	ALS

FILE: X:\ME\290\ME\173\CONN
REVISED: MPM1140ASG7JP1N