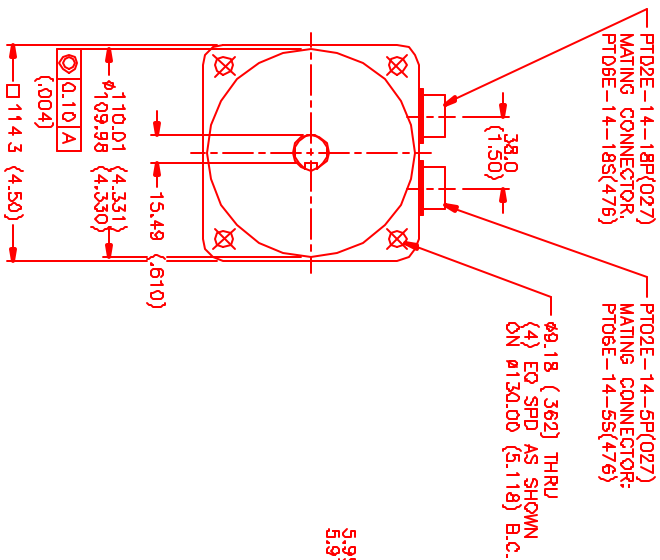


MOTOR DATA @ 460 VAC (TRAP)

MOTOR PARAMETERS	UNITS	VALUE
MOTOR HORSEPOWER	HP RATED	0.78
	KW RATED	0.56
MAX OPERATING SPEED	N MAX	1900
SPEED @ RATED TORQUE	RPM	1400
* CONTINUOUS RATED TORQUE @ 3000 RPM	IN-LBS/Nm	34.0/3.81
* CONTINUOUS STALL TORQUE	IN-LBS/Nm	38.0/4.3
CONTINUOUS LINE CURRENT	AMPS	1.5
PEAK CURRENT	IN-LBS/Nm	114.0/12.91
PEAK CURRENT	AMPS	4.5
MAX THEORETICAL ACCEL	RA0/SEC ²	80.000
TORQUE SENSITIVITY	Kt IN-LBS/AMP/Nm/AMP ²	24.7/2.791
BACK EMF (LINE TO LINE)	Vrms/Krpm	220.0
D.C. RESISTANCE (P-P)	OHMS	49.0
INDUCTANCE (P-P)	MILLIHENRIES	255.0
ROTOR INERTIA	Jm IN-LBS-SEC ² /KG-M ²	.00197/0.000211
STATIC FRICTION	If IN-LBS/Nm	.81/0.09

*25°C AMBIENT WITH A MAXIMUM CASE TEMPERATURE OF 100°C ON MOTOR. MOTOR MOUNTED ON A 12" X 12" X 1/2" ALUMINUM HEATSINK. THERMOSTAT IN STATOR WINDINGS WILL OPEN IF WINDING TEMPERATURE EXCEEDS 155°C. THIS ALLOWS FOR AN APPROXIMATE +10% HEADROOM IN THE CONTINUOUS TORQUE RATING BEFORE THERMOSTAT OPENS.

- MECHANICAL NOTES:**
- AXIAL LOAD: 50 LBS MAX
 - RADIAL LOAD: 100 LBS MAX @ 1" FROM FACE
 - MOTOR SEALED TO IP65.
 - MOTOR WEIGHT: 13.2 LBS. [6.0 kg]
 - MOTOR FINISH: BLACK EPOXY
 - MOTOR OUTPUT SHAFT: STAINLESS STEEL
 - MILLIMETERS (INCHES)



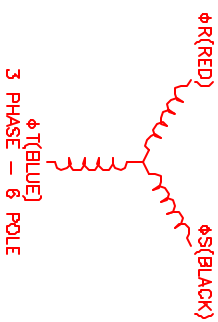
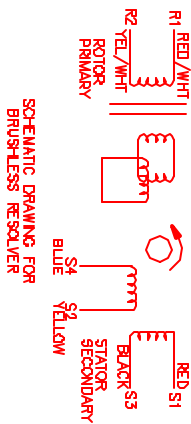
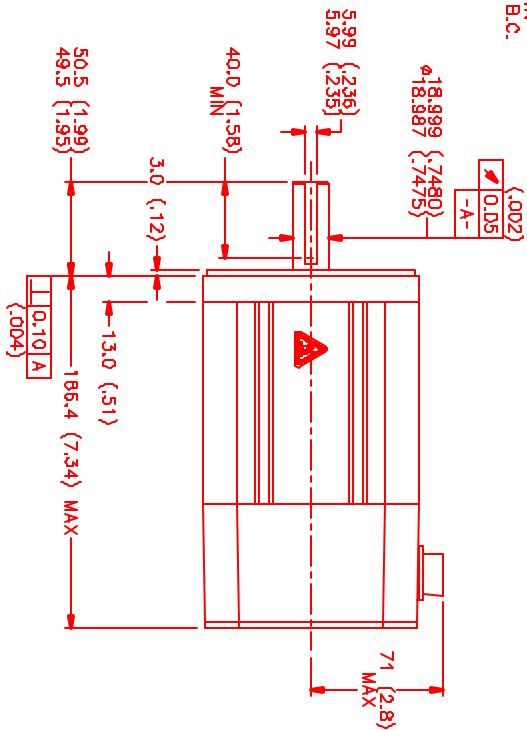
CONNECTION CHART

MOTOR CONNECTOR:
PT02E-14-5P(027)
(270-00026)

MOTOR WIRE LEADS	WIRE FUNCTION	WIRE COLOR
A	ΦR	RED
B	ΦS	BLACK
C	ΦT	BLUE
D	PE GND	GRN/YEL
E	-	-

RESOLVER/THERM CONNECTOR:
PT02E-14-18P(027)
(270-00024)

RES/THERM WIRE LEADS	WIRE FUNCTION	WIRE COLOR
A	RES	BLACK
B	THERM	BLACK
C	SIN	YELLOW
D	COS	BLACK
E	COS GND	RED
F	SIN GND	BLUE
G	REF GND	YEL/WHI
H	REF	RED/WHI
I	RES SHLD	GRN/YEL
J	GND	GRN/YEL
K	-	-
L	-	-
M	-	-
T	-	-



REV	DESCRIPTION	DATE	APP'D.
1	PRELIMINARY	4/13/00	AJS

NO.	PART NUMBER	DESCRIPTION	QTY.
1	MPS Systems Corporation Automation Division		
TITLE: DP/TRAP/460/NET/RES/COINN DATE: 4/13/00 DRAWN: MPM1140DTJG1N CHECKED: AJS APPROVED: MPM1140DTJG1N REV: 1/2/1			