

MOTOR DATA @ 230 VAC (SINE)

MOTOR PARAMETERS	UNITS	VALUE
HORSEPOWER	HP	2.1
KILOWATTS	KW	1.6
MAX. OPERATING SPEED	N MAX	4200
SPEED @ RATED TORQUE	N RATED	3000
* CONTINUOUS RATED TORQUE @ 3000 RPM	IN-LBS [Nm]	45.0 [5.1]
* CONTINUOUS STALL TORQUE	IN-LBS [Nm]	54.0 [6.1]
CONTINUOUS LINE CURRENT	AMPS (RMS/φ)	6.2
PEAK TORQUE	IN-LBS [Nm]	189.1 [21.3]
PEAK CURRENT	AMPS (RMS/φ)	21.6
MAX. THEORETICAL ACCEL.	RAD/SEC ²	54,029
TORQUE SENSITIVITY	Kt [N-LBS/AMP (RMS/φ)] [Nm/AMP (RMS/φ)]	8.8 [0.99]
BACK EMF (LINE TO LINE)	Vrms/Krpm	55.0
D.C. RESISTANCE (P-P)	OHMS	.82
INDUCTANCE (P-P)	MILLIHENRIES	6.1
ROTOR INERTIA	Jm [IN-LBS-SEC ²] [Kg-M ²]	.0035 [0.00039]
STATIC FRICTION	Tf [IN-LBS] [Nm]	1.0 [0.11]

*25°C AMBIENT WITH A MAXIMUM CASE TEMPERATURE OF 100°C ON MOTOR. MOTOR MOUNTED ON A 12" X 12" X 1/2" ALUMINUM HEATSINK. THERMOSTAT IN STATOR WINDINGS WILL OPEN IF WINDING TEMPERATURE EXCEEDS 155°C. THIS ALLOWS FOR AN APPROXIMATE +10% HEADROOM IN THE CONTINUOUS TORQUE RATING BEFORE THERMOSTAT OPENS.

- MECHANICAL NOTES:**
1. AXIAL LOAD: 50 LBS MAX
 2. RADIAL LOAD: 100 LBS MAX @ 1" FROM FACE
 3. MOTOR SEALED TO IP65.
 4. MOTOR WEIGHT: 17.8 LBS. [8.1 kg]
 5. MOTOR FINISH: BLACK EPOXY
 6. MOTOR OUTPUT SHAFT: STAINLESS STEEL
 7. MILLIMETERS (INCHES)

ENCODER: (290-00107)
OH48-409666-L6-5V

CONNECTION CHART

MOTOR CONNECTOR:
PT02E-14-5P(027)
(270-00026)

MOTOR WIRE LEADS	WIRE COLOR	WIRE FUNCTION	PIN
A	RED	φR	A
B	BLACK	φS	B
C	BLUE	φT	C
D	GRN/YEL	PE GND	D
E	—	—	E

ENCODER/THERM CONNECTOR:

PT02E-14-18P(027)
(270-00024)

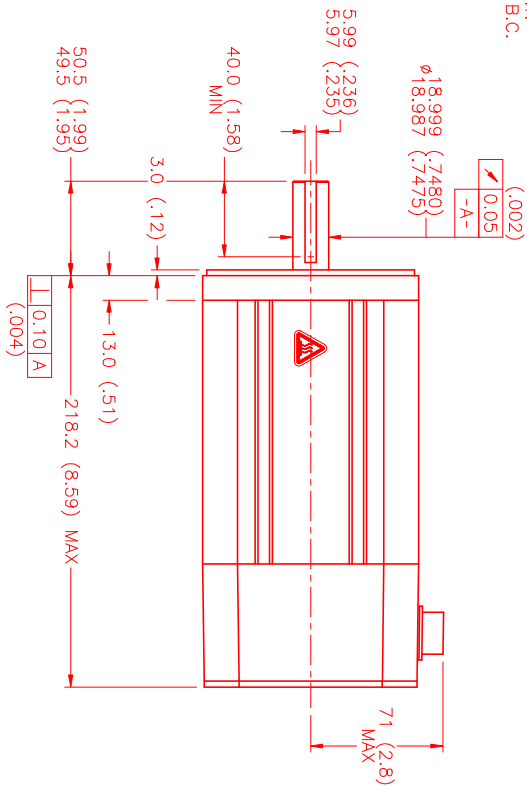
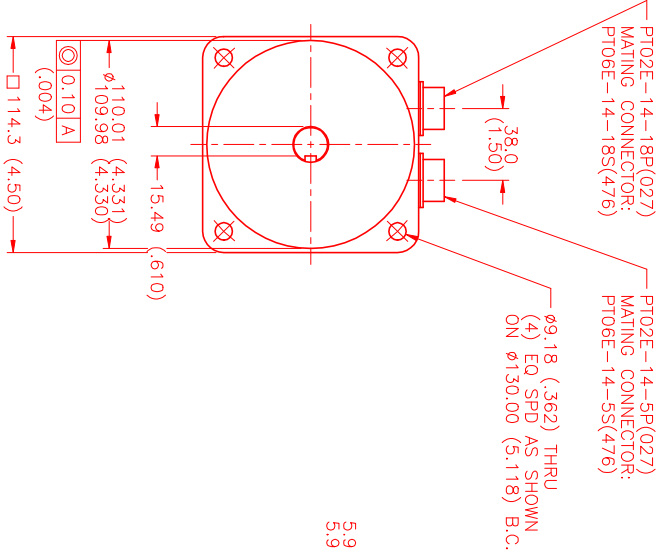
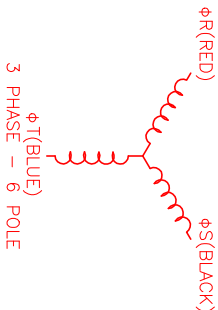
ENC/THERM WIRE LEADS	WIRE COLOR	WIRE FUNCTION	PIN
T	BLACK	GROUND	T
K	RED	+5VDC	K
B	BLUE	CH A	B
C	BLUE/BLK	CH A	C
N	GREEN	CH B	N
P	GRN/BLK	CH B	P
M	YELLOW	CH Z	M
U	BROWN	CH U	U
E	BROWN	CH U	E
R	BRN/BLK	CH V	R
F	GRAY	CH V	F
S	GRAY/BLK	CH W	S
G	WHITE	CH W	G
H	WHT/BLK	CH W	H
D	SHLD	GND/CABLE	D
A	BLACK	THERM	A
L	BLACK	THERM	L
J	GRN/YEL	GND	J

MOTOR & HALL POSITION CHART

HALL LEADS	BROWN	GRAY	WHITE
MOTOR LEADS	BLACK respect to RED	RED respect to BLUE	BLUE respect to BLACK
VIEW ON THE OSCILLOSCOPE	AAAF	AAAA	AAAA

*MOTOR ROTATION COW (COUNTER CLOCKWISE) (LOOKING AT THE FACE OF THE MOTOR)

 WAVE REPRESENTING STATOR OUTPUT
WAVE REPRESENTING HALL SENSOR



NO.	PART NUMBER	DESCRIPTION	QTY.
UNLDESIGNATED			
DESIGN: 2008 # 400			
REVISION: 1			
DATE: 7/13/99			
DESIGNED BY: MVS			
CHECKED BY:			
APPROVED BY:			
DATE: 7/13/99			
DESIGNED BY: MVS			
CHECKED BY:			
APPROVED BY:			
DATE: 7/13/99			
DESIGNED BY: MVS			
CHECKED BY:			
APPROVED BY:			
DATE: 7/13/99			
DESIGNED BY: MVS			
CHECKED BY:			
APPROVED BY:			
DATE: 7/13/99			
DESIGNED BY: MVS			
CHECKED BY:			
APPROVED BY:			
DATE: 7/13/99			
DESIGNED BY: MVS			
CHECKED BY:			
APPROVED BY:			
DATE: 7/13/99			
DESIGNED BY: MVS			
CHECKED BY:			
APPROVED BY:			
DATE: 7/13/99			
DESIGNED BY: MVS			
CHECKED BY:			
APPROVED BY:			
DATE: 7/13/99			
DESIGNED BY: MVS			
CHECKED BY:			
APPROVED BY:			
DATE: 7/13/99			
DESIGNED BY: MVS			
CHECKED BY:			
APPROVED BY:			
DATE: 7/13/99			
DESIGNED BY: MVS			
CHECKED BY:			
APPROVED BY:			
DATE: 7/13/99			
DESIGNED BY: MVS			
CHECKED BY:			
APPROVED BY:			
DATE: 7/13/99			
DESIGNED BY: MVS			
CHECKED BY:			
APPROVED BY:			
DATE: 7/13/99			
DESIGNED BY: MVS			
CHECKED BY:			
APPROVED BY:			
DATE: 7/13/99			
DESIGNED BY: MVS			
CHECKED BY:			
APPROVED BY:			
DATE: 7/13/99			
DESIGNED BY: MVS			
CHECKED BY:			
APPROVED BY:			
DATE: 7/13/99			
DESIGNED BY: MVS			
CHECKED BY:			
APPROVED BY:			
DATE: 7/13/99			
DESIGNED BY: MVS			
CHECKED BY:			
APPROVED BY:			
DATE: 7/13/99			
DESIGNED BY: MVS			
CHECKED BY:			
APPROVED BY:			
DATE: 7/13/99			
DESIGNED BY: MVS			
CHECKED BY:			
APPROVED BY:			
DATE: 7/13/99			
DESIGNED BY: MVS			
CHECKED BY:			
APPROVED BY:			
DATE: 7/13/99			
DESIGNED BY: MVS			
CHECKED BY:			
APPROVED BY:			
DATE: 7/13/99			
DESIGNED BY: MVS			
CHECKED BY:			
APPROVED BY:			
DATE: 7/13/99			
DESIGNED BY: MVS			
CHECKED BY:			
APPROVED BY:			
DATE: 7/13/99			
DESIGNED BY: MVS			
CHECKED BY:			
APPROVED BY:			
DATE: 7/13/99			
DESIGNED BY: MVS			
CHECKED BY:			
APPROVED BY:			
DATE: 7/13/99			
DESIGNED BY: MVS			
CHECKED BY:			
APPROVED BY:			
DATE: 7/13/99			
DESIGNED BY: MVS			
CHECKED BY:			
APPROVED BY:			
DATE: 7/13/99			
DESIGNED BY: MVS			
CHECKED BY:			
APPROVED BY:			
DATE: 7/13/99			
DESIGNED BY: MVS			
CHECKED BY:			
APPROVED BY:			
DATE: 7/13/99			
DESIGNED BY: MVS			
CHECKED BY:			
APPROVED BY:			
DATE: 7/13/99			
DESIGNED BY: MVS			
CHECKED BY:			
APPROVED BY:			
DATE: 7/13/99			
DESIGNED BY: MVS			
CHECKED BY:			
APPROVED BY:			
DATE: 7/13/99			
DESIGNED BY: MVS			
CHECKED BY:			
APPROVED BY:			
DATE: 7/13/99			
DESIGNED BY: MVS			
CHECKED BY:			
APPROVED BY:			
DATE: 7/13/99			
DESIGNED BY: MVS			
CHECKED BY:			
APPROVED BY:			
DATE: 7/13/99			
DESIGNED BY: MVS			
CHECKED BY:			
APPROVED BY:			
DATE: 7/13/99			
DESIGNED BY: MVS			
CHECKED BY:			
APPROVED BY:			
DATE: 7/13/99			
DESIGNED BY: MVS			
CHECKED BY:			
APPROVED BY:			
DATE: 7/13/99			
DESIGNED BY: MVS			
CHECKED BY:			
APPROVED BY:			
DATE: 7/13/99			
DESIGNED BY: MVS			
CHECKED BY:			
APPROVED BY:			
DATE: 7/13/99			
DESIGNED BY: MVS			
CHECKED BY:			
APPROVED BY:			
DATE: 7/13/99			
DESIGNED BY: MVS			
CHECKED BY:			
APPROVED BY:			
DATE: 7/13/99			
DESIGNED BY: MVS			
CHECKED BY:			
APPROVED BY:			
DATE: 7/13/99			
DESIGNED BY: MVS			
CHECKED BY:			
APPROVED BY:			
DATE: 7/13/99			
DESIGNED BY: MVS			
CHECKED BY:			
APPROVED BY:			
DATE: 7/13/99			
DESIGNED BY: MVS			
CHECKED BY:			
APPROVED BY:			
DATE: 7/13/99			
DESIGNED BY: MVS			
CHECKED BY:			
APPROVED BY:			
DATE: 7/13/99			
DESIGNED BY: MVS			
CHECKED BY:			
APPROVED BY:			
DATE: 7/13/99			
DESIGNED BY: MVS			
CHECKED BY:			
APPROVED BY:			
DATE: 7/13/99			
DESIGNED BY: MVS			
CHECKED BY:			
APPROVED BY:			
DATE: 7/13/99			
DESIGNED BY: MVS			
CHECKED BY:			
APPROVED BY:			
DATE: 7/13/99			
DESIGNED BY: MVS			
CHECKED BY:			
APPROVED BY:			
DATE: 7/13/99			
DESIGNED BY: MVS			
CHECKED BY:			
APPROVED BY:			
DATE: 7/13/99			
DESIGNED BY: MVS			
CHECKED BY:			
APPROVED BY:			
DATE: 7/13/99			
DESIGNED BY: MVS			
CHECKED BY:			
APPROVED BY:			
DATE: 7/13/99			
DESIGNED BY: MVS			
CHECKED BY:			
APPROVED BY:			
DATE: 7/13/99			
DESIGNED BY: MVS			
CHECKED BY:			
APPROVED BY:			
DATE: 7/13/99			
DESIGNED BY: MVS			
CHECKED BY:			
APPROVED BY:			
DATE: 7/13/99			
DESIGNED BY: MVS			
CHECKED BY:			
APPROVED BY:			
DATE: 7/13/99			
DESIGNED BY: MVS			
CHECKED BY:			
APPROVED BY:			
DATE: 7/13/99			
DESIGNED BY: MVS			
CHECKED BY:			
APPROVED BY:			
DATE: 7/13/99			
DESIGNED BY: MVS			
CHECKED BY:			
APPROVED BY:			
DATE: 7/13/99			
DESIGNED BY: MVS			
CHECKED BY:			
APPROVED BY:			
DATE: 7/13/99			
DESIGNED BY: MVS			
CHECKED BY:			
APPROVED BY:			
DATE: 7/13/99			
DESIGNED BY: MVS			
CHECKED BY:			