

MOTOR DATA @ 230 VAC (TRAP)

MOTOR PARAMETERS	UNITS	VALUE
HORSEPOWER	HP RATED	2.1
KILOWATTS	KW RATED	1.6
MAX. OPERATING SPEED	N MAX RPM	4200
SPEED @ RATED TORQUE	N RATED RPM	3000
* CONTINUOUS RATED TORQUE @ 3000 RPM	N-LEBS [Nm]	45.0 [5.1]
* CONTINUOUS STALL TORQUE	N-LEBS [Nm]	54.0 [6.1]
CONTINUOUS LINE CURRENT	AMPS	8.7
PEAK TORQUE	Tpk N-LEBS [Nm]	189.1 [21.3]
PEAK CURRENT	AMPS	30.5
MAX. THEORETICAL ACCEL.	RAD/SEC ²	54,029
TORQUE SENSITIVITY	Kt IN-LEBS/AMP [Nm/AMP]	6.2 [.71]
BACK EMF (LINE TO LINE)	Vrms/Krpm	55.0
D.C. RESISTANCE (P-P)	OHMS	.82
INDUCTANCE (P-P)	MILLIHENRIES	6.1
ROTOR INERTIA	Jm [N-LEBS-SEC ²] [Kg-M ²]	.0035 [0.00039]
STATIC FRICTION	Tf [N-LEBS] [Nm]	1.0 [0.11]

CONNECTION CHART

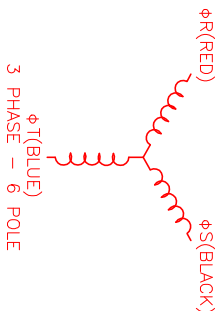
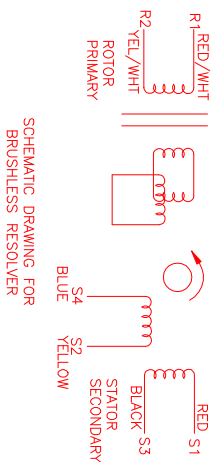
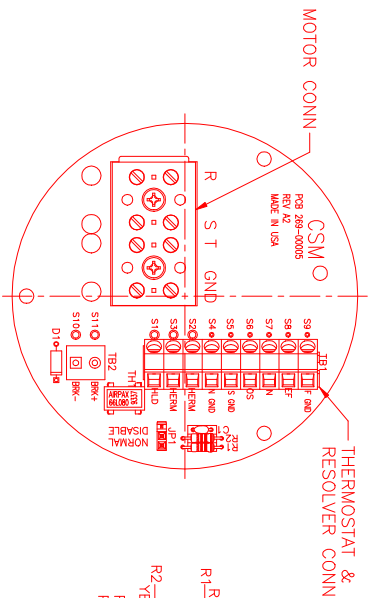
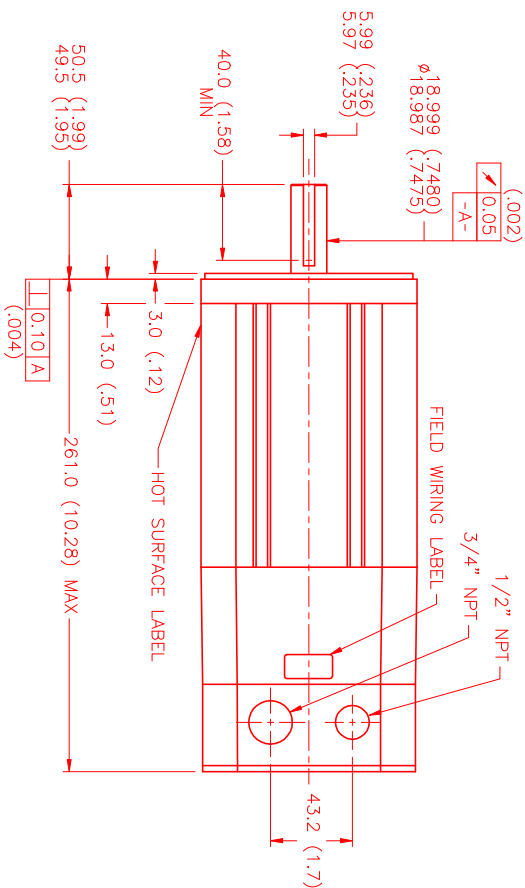
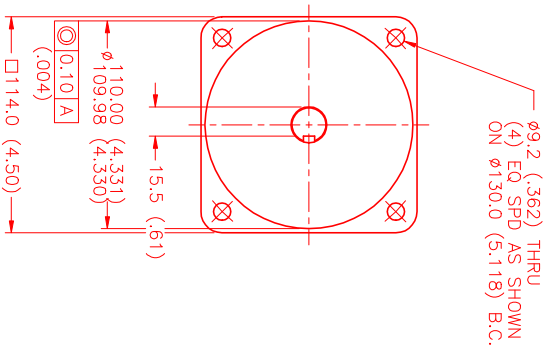
MOTOR WIRE LEADS	WIRE FUNCTION	WIRE COLOR
TERMINAL	ΦR	RED
ΦS	BLACK	
ΦT	BLUE	
PE GND	GRN/YEL	

RESOLVER WIRE LEADS	WIRE FUNCTION	WIRE COLOR
S9	REF GND	YEL/WHIT
S8	REF	RED/WHIT
S7	SIN	YELLOW
S6	COS	RED
S5	COS GND	BLACK
S4	SIN GND	BLUE
S3	THERM	BLACK
S2	THERM	BLACK
S1	SHLD	GRN/YEL

*25°C AMBIENT WITH A MAXIMUM CASE TEMPERATURE OF 100°C ON MOTOR. MOTOR MOUNTED ON A 12" X 12" X 1/2" ALUMINUM HEATSINK. THERMOSTAT IN STATOR WINDINGS WILL OPEN IF WINDING TEMPERATURE EXCEEDS 155°C. THIS ALLOWS FOR AN APPROXIMATE +10% HEADROOM IN THE CONTINUOUS TORQUE RATING BEFORE THERMOSTAT OPENS.

MECHANICAL NOTES:

1. AXIAL LOAD: 50 LBS MAX
2. RADIAL LOAD: 100 LBS MAX @ 1" FROM FACE
3. MOTOR SEALED TO IP65.
4. MOTOR WEIGHT: 19.4 LBS. [8.8 kg]
5. MOTOR FINISH: BLACK EPOXY
6. MOTOR OUTPUT SHAFT: STAINLESS STEEL
7. MILLIMETERS (INCHES)



DATE: * / TRAP / 230 / MET / RES / NPT NUMBER: MPM1141ATG7G3N

REV.	DESCRIPTION	DATE	APPD.
PRELIMINARY		1/4/00	LIN

NO.	PART NUMBER	DESCRIPTION	QTY.
UNLESS SPECIFIED			
DESIGN			
DATE: 5/24/99			
APPROVED:			
SCALE: 1/2:1			

MTS Systems Corporation
Automation Division

RESOLVER ASSEMBLY FOR 230VAC MOTOR. SEE DRAWING FOR DIMENSIONS AND TOLERANCES. THIS DRAWING IS UNLESS OTHERWISE SPECIFIED.

DATE: 5/24/99

SCALE: 1/2:1