

MOTOR DATA @ 230 VAC (SINE)

| MOTOR PARAMETERS | UNITS | VALUE |
|--------------------------------------|--|---------------|
| HORSEPOWER | HP RATED | 1.2 |
| | KW RATED | .88 |
| MAX. OPERATING SPEED | N MAX RPM | 2100 |
| SPEED @ RATED TORQUE | N RATED RPM | 1300 |
| * CONTINUOUS RATED TORQUE @ 1500 RPM | N-LBS[Nm] | 50.0[5.6] |
| * CONTINUOUS STALL TORQUE | N-LBS[Nm] | 54.0[6.1] |
| CONTINUOUS LINE CURRENT | AMPS(RMS/Φ) | 3.1 |
| PEAK TORQUE | N-LBS[Nm] | 189.1[21.3] |
| PEAK CURRENT | AMPS(RMS/Φ) | 10.8 |
| MAX. THEORETICAL ACCEL. | RAD/SEC ² | 48,487 |
| TORQUE SENSITIVITY | Kt N-LBS/AMP[RMS/ΦNm/AMP(RMS/Φ) | 17.5[1.98] |
| BACK EMF (LINE TO LINE) | Vrms/Krpm | 110.0 |
| D.C. RESISTANCE (P-P) | OHMS | 3.3 |
| INDUCTANCE (P-P) | MILLIHENRIES | 24.4 |
| ROTOR INERTIA W/BRAKE | Jm[N-LBS-SEC ²]Kg-M ² | .0039[.00044] |
| STATIC FRICTION | Tf | 1.0[.11] |

CONNECTION CHART

| MOTOR WIRE LEADS | WIRE FUNCTION | WIRE COLOR |
|------------------|---------------|------------|
| TERMINAL | FUNCTION | COLOR |
| - | ΦR | RED |
| - | ΦS | BLACK |
| - | ΦT | BLUE |
| - | PE GND | GRN/YEL |

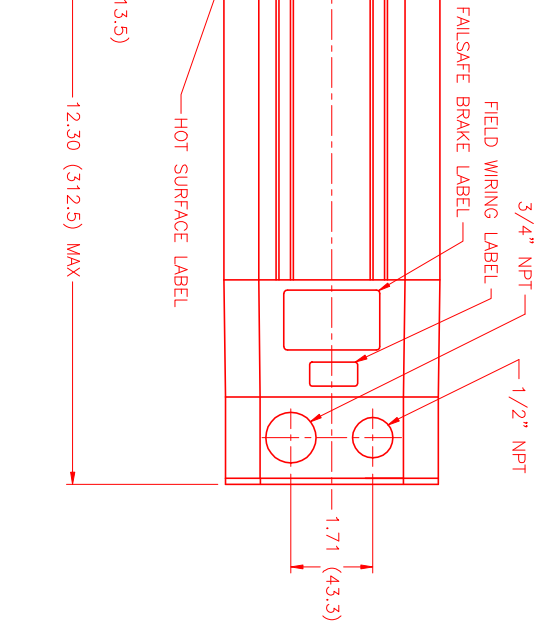
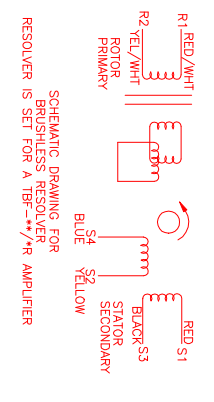
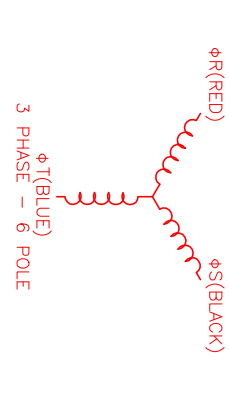
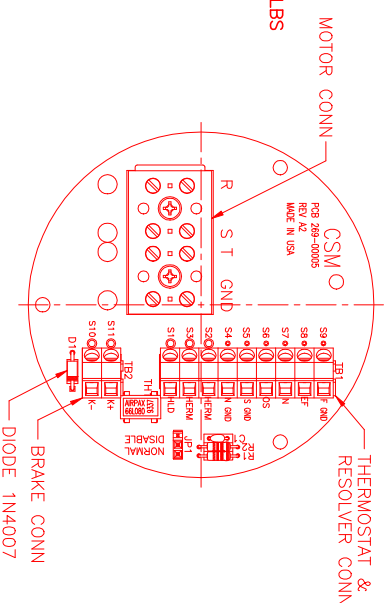
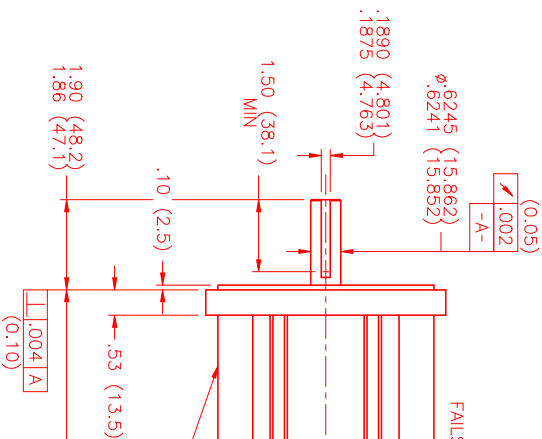
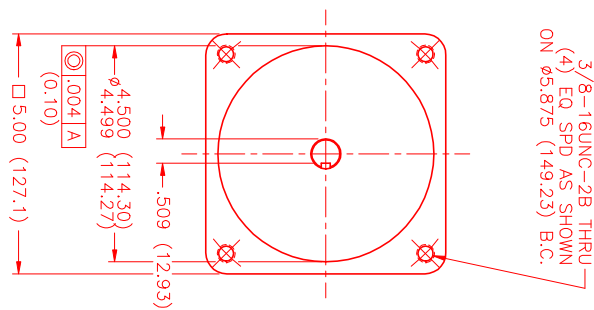
| RES./BRAKE WIRE LEADS | WIRE FUNCTION | WIRE COLOR |
|-----------------------|---------------|------------|
| TERMINAL | FUNCTION | COLOR |
| S11 | BRK (+) | BLUE |
| S10 | BRK (-) | BLUE |
| S9 | REF GND | YEL/WHI |
| S8 | REF | RED/WHI |
| S7 | SIN | YELLOW |
| S6 | COS | RED |
| S5 | COS GND | BLACK |
| S4 | SIN GND | BLUE |
| S3 | THERM | BLACK |
| S2 | THERM | BLACK |
| S1 | RES SHLD | GRN/YEL |

*25°C AMBIENT WITH A MAXIMUM CASE TEMPERATURE OF 100°C ON MOTOR. MOTOR MOUNTED ON A 12" X 12" X 1/2" ALUMINUM HEATSINK. THERMOSTAT IN STATOR WINDINGS WILL OPEN IF WINDING TEMPERATURE EXCEEDS 155°C. THIS ALLOWS FOR AN APPROXIMATE +10% HEADROOM IN THE CONTINUOUS TORQUE RATING BEFORE THERMOSTAT OPENS.

MECHANICAL NOTES:

1. AXIAL LOAD: 50 LBS MAX
2. RADIAL LOAD: 100 LBS MAX @ 1" FROM FACE
3. MOTOR SEALED TO IP65.
4. MOTOR WEIGHT: 24.6 LBS. [11.2 kg]
5. MOTOR FINISH: BLACK EPOXY
6. MOTOR OUTPUT SHAFT: STAINLESS STEEL
7. INCHES (MILLIMETERS)

FAILSAFE BRAKE: (290-00006)
 MIN. HOLDING TORQUE: 240 IN-LBS
 INPUT VOLTAGE: 24 VOLTS



| NO. | PART NUMBER | DESCRIPTION | QTY. |
|---|-------------|-------------|------|
| UNLESS OTHERWISE SPECIFIED | | | |
| DRINKING WATER | | | |
| DATE: 4/18/02 | | | |
| DESIGNED BY: MS | | | |
| CHECKED BY: MS | | | |
| TITLE: 'B' / SINE / 230 / ENG / TBR / NPT / BRK | | | |
| APPROVED BY: | | | |
| DRAWN BY: MPM1141BSG6H3R | | | |
| SCALE: 1/2:1 | | | |

| REV. | DESCRIPTION | DATE | APPD. |
|------|-------------|---------|-------|
| 1 | PRELIMINARY | 4/29/02 | MS |

DATE: 8/23/02 ENG/TBR/NPT/BRK NUMBER: MPM1141BSG6H3R



MTS Automation Division