

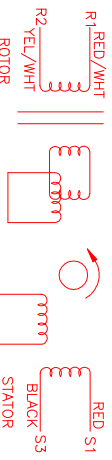
MOTOR DATA @ 230 VAC (TRAP)

MOTOR PARAMETERS	UNITS	VALUE
HORSEPOWER	HP	1.2
KILOWATTS	KW	0.88
MAX. OPERATING SPEED	N MAX RPM	2100
SPEED @ RATED TORQUE	N RATED RPM	1500
* CONTINUOUS RATED TORQUE @ 1500 RPM	IN-LBS[Nm]	50.0 [5.6]
* CONTINUOUS STALL TORQUE	IN-LBS[Nm]	54.0 [6.1]
CONTINUOUS LINE CURRENT	AMPS	4.4
PEAK CURRENT	IN-LBS[Nm]	189.1 [21.3]
MAX. THEORETICAL ACCEL.	AMPS	15.3
TORQUE SENSITIVITY	RAD/SEC ²	72.731
BACK EMF (LINE TO LINE)	IN-LBS/AMP[Nm/AMP]	12.4 [1.42]
D.C. RESISTANCE	Vrms/Krpm	110.0
INDUCTANCE	OHMS	3.20
ROTOR INERTIA	MILLIHENRIES	17.5
STATIC FRICTION	IN-LBS-SEC ² [Kg-M ²]	.0035 [0.00039]
	IN-LBS[Nm]	1.0 [0.11]

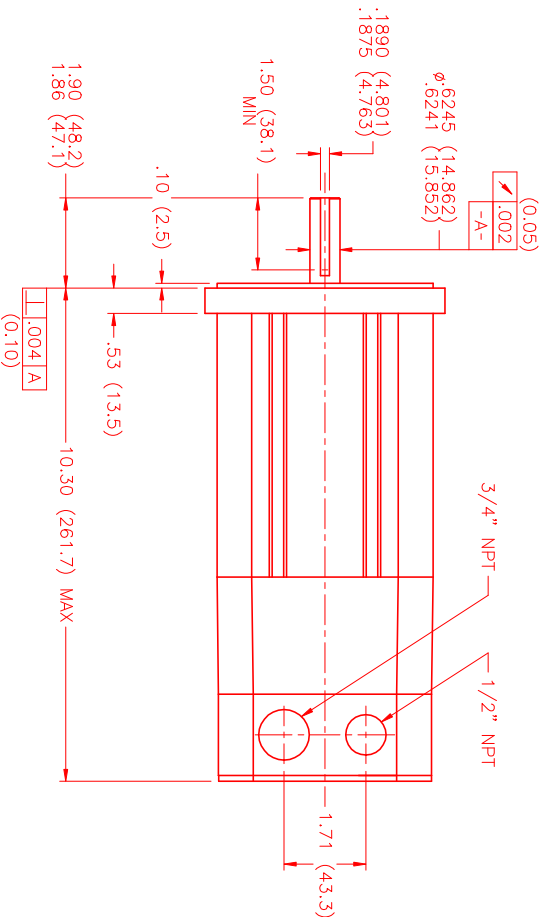
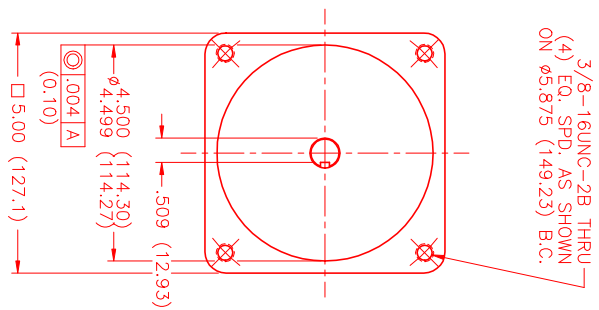
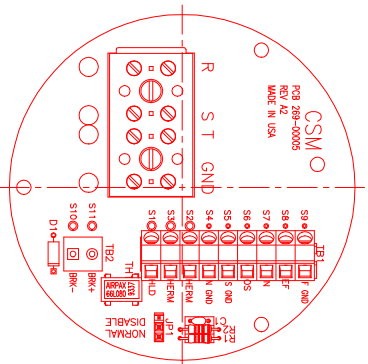
CONNECTION CHART

MOTOR WIRE LEADS	WIRE FUNCTION	WIRE COLOR
1	φR	RED
2	φS	BLACK
3	φT	BLUE
4	PE GND	GRN/YEL

RESOLVER WIRE LEADS	WIRE FUNCTION	WIRE COLOR
S9	REF GND	YEL/WHI
S8	REF	RED/WHI
S7	SIN	YELLOW
S6	COS	RED
S5	COS GND	BLACK
S4	SIN GND	BLUE
S3	THERM	BLACK
S2	THERM	BLACK
S1	SHIELD	GREEN



SCHEMATIC DRAWING FOR BRUSHLESS RESOLVER



NO.	PART NUMBER	DESCRIPTION	QTY.
UNLESS SPECIFIED			
DESIGN	3004	230VAC	1
REVISION	4/5/99	TRAP	1
DATE	4/5/99	TRAP	1
APPROVED	MVS	TRAP	1
DESIGNED	MVS	TRAP	1
CHECKED	MVS	TRAP	1
DRAWN	MVS	TRAP	1
SCALE	1/2:1		

MPM1141BTG6G3N

REVISIONS

REV.	DESCRIPTION	DATE	APPD.
1	PRELIMINARY	4/5/99	MVS

MTS Systems Corporation
Automation Division