

MOTOR DATA @ 230 VAC (TRAP)

MOTOR PARAMETERS	UNITS	VALUE
HORSEPOWER	HP RATED	1.2
KILOWATTS	KW RATED	.88
MAX. OPERATING SPEED	N MAX	2100
SPEED @ RATED TORQUE	RPM	1500
* CONTINUOUS RATED TORQUE @ 1500 RPM	IN-LBS [Nm]	50.0 [5.6]
* CONTINUOUS STALL TORQUE	IN-LBS [Nm]	54.0 [6.1]
CONTINUOUS LINE CURRENT	AMPS	4.4
PEAK CURRENT	IN-LBS [Nm]	189.1 [21.3]
MAX. THEORETICAL ACCEL.	AMPS	15.3
TORQUE SENSITIVITY	RAD/SEC ²	54.029
BACK EMF (LINE TO LINE)	Kt IN-LBS/AMPI Nm/AMP	12.4 [1.42]
D.C. RESISTANCE (P-P)	Vrms/Krpm	110.0
INDUCTANCE (P-P)	OHMS	3.3
ROTOR INERTIA	MILLIHENRIES	24.4
STATIC FRICTION	Jm [IN-LBS-SEC ²] Kg-M ²	.0035 [0.00039]
	Tf [IN-LBS] [Nm]	1.0 [1.1]

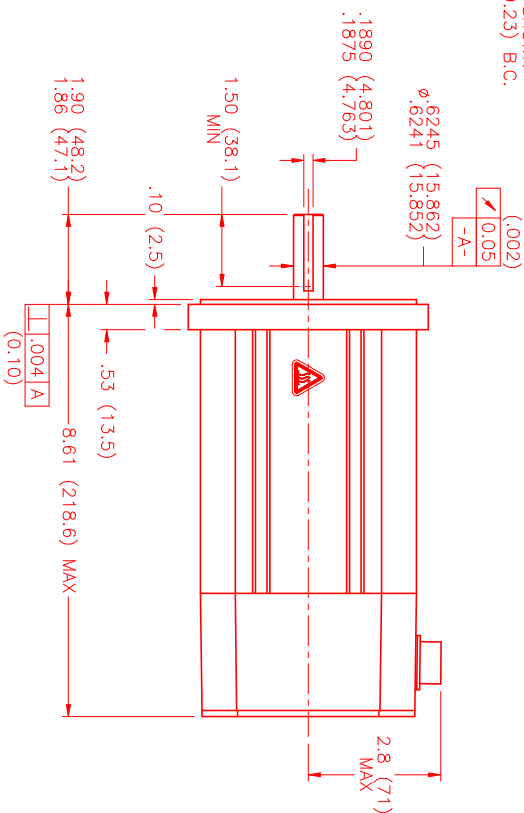
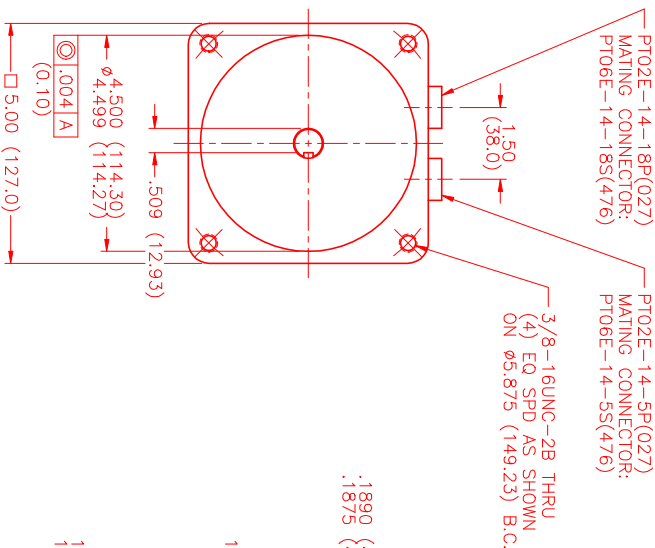
*25°C AMBIENT WITH A MAXIMUM CASE TEMPERATURE OF 100°C ON MOTOR. MOTOR MOUNTED ON A 12" X 12" X 1/2" ALUMINUM HEATSINK. THERMOSTAT IN STATOR WINDINGS WILL OPEN IF WINDING TEMPERATURE EXCEEDS 155°C. THIS ALLOWS FOR AN APPROXIMATE +10% HEADROOM IN THE CONTINUOUS TORQUE RATING BEFORE THERMOSTAT OPENS.

MECHANICAL NOTES:

1. AXIAL LOAD: 50 LBS MAX
2. RADIAL LOAD: 100 LBS MAX @ 1" FROM FACE
3. MOTOR SEALED TO IP65.
4. MOTOR WEIGHT: 17.8 LBS. [8.1 Kg]
5. MOTOR FINISH: BLACK EPOXY
6. MOTOR OUTPUT SHAFT: STAINLESS STEEL
7. INCHES (MILLIMETERS)

ENCODER: (290-00064)

OH48-1000P6-L6-5V



NO.	PART NUMBER	DESCRIPTION	QTY.
1	MVS	MVS	1
2	TRAP/230/ENG/T1/CONN	TRAP/230/ENG/T1/CONN	1

DATE: 1/26/99
 DRAWN: MVS
 CHECKED: [Signature]
 APPROVED: [Signature]

UNLESS OTHERWISE SPECIFIED:
 DIMENSIONS ARE IN INCHES AND DECIMALS ARE IN THIRDS OF AN INCH.
 DIMENSIONS ARE IN MILLIMETERS AND DECIMALS ARE IN THIRDS OF A MILLIMETER.
 FINISH: BLACK EPOXY
 TOLERANCES: ±.004 A

PROPERTY NOTICE: THIS DRAWING IS THE PROPERTY OF MTS SYSTEMS CORPORATION. IT IS TO BE USED FOR THE PROJECT AND QUANTITY SPECIFIED HEREON. IT IS NOT TO BE REPRODUCED OR COPIED IN ANY MANNER WITHOUT THE WRITTEN PERMISSION OF MTS SYSTEMS CORPORATION.

MTS Systems Corporation
 Automation Division
 SCALE: 1/2:1

REVISIONS
 REV. 1 PRELIMINARY
 DATE 4/19/00
 APPD. LIN

ENCODER/THERM CONNECTOR:
 PTOZE-14-5P(027)
 (270-00026)

MOTOR WIRE LEADS	WIRE FUNCTION	WIRE COLOR
A	ΦR	RED
B	ΦS	BLACK
C	ΦT	BLUE
D	PE GND	GRN/YEL
E	-	-

ENC/THERM WIRE LEADS	PIN	WIRE FUNCTION	WIRE COLOR
T	GROUND	BLACK	
K	+5VDC	RED	
B	CH A	BLUE	
C	CH A'	BLUE/BLK	
N	CH B	GREEN	
P	CH B'	GRN/BLK	
M	CH Z	YELLOW	
U	CH Z'	YEL/BLK	
E	CH U	BROWN	
R	CH U'	BRN/BLK	
F	CH V	GRAY	
S	CH V'	GRAY/BLK	
G	CH W	WHITE	
H	CH W'	WHT/BLK	
D	GND/CABLE	SHLD	
A	THERM	BLACK	
L	THERM	BLACK	
J	GND	GRN/YEL	



MOTOR & HALL POSITION CHART

HALL LEADS	BROWN	GRAY	WHITE
MOTOR LEADS	BLACK respect to RED	BLUE respect to BLUE	BLUE respect to BLACK



WAVE REPRESENTING HALL SENSOR

FORMING NUMBER: MPM1141BTG6JM1N

REVISIONS
 DATE 4/19/00
 APPD. LIN

SCALE: 1/2:1