

MOTOR DATA @ 460 VAC (TRAP)

MOTOR PARAMETERS	UNITS	VALUE
HORSEPOWER	HP RATED	2.1
KILOWATTS	KW RATED	1.6
MAX. OPERATING SPEED	N MAX	4200
SPEED @ RATED TORQUE	RPM	3000
* CONTINUOUS RATED TORQUE @ 3000 RPM	IN-LBS[Nm]	45.0[5.1]
* CONTINUOUS STALL TORQUE	IN-LBS[Nm]	54.0[6.1]
CONTINUOUS LINE CURRENT	AMPS	4.4
PEAK TORQUE	IN-LBS[Nm]	189.1[21.3]
PEAK CURRENT	AMPS	15.3
MAX. THEORETICAL ACCEL.	RA0/SEC ²	48,487
TORQUE SENSITIVITY	KT IN-LBS/AMP[Nm/AMP]	12.4[1.42]
BACK EMF (LINE TO LINE)	Vrms/Krpm	110.0
D.C. RESISTANCE (P-P)	OHMS	3.2
INDUCTANCE (P-P)	mH	24.0
ROTOR INERTIA W/BRAKE	IN-LBS-SEC ² [Kg-M ²]	.0039[.00044]
STATIC FRICTION	Tf	1.0[.11]

*25°C AMBIENT WITH A MAXIMUM CASE TEMPERATURE OF 100°C ON MOTOR. MOTOR MOUNTED ON A 12" X 12" X 1/2" ALUMINUM HEATSINK. THERMOSTAT IN STATOR WINDINGS WILL OPEN IF WINDING TEMPERATURE EXCEEDS 155°C. THIS ALLOWS FOR AN APPROXIMATE +10% HEADROOM IN THE CONTINUOUS TORQUE RATING BEFORE THERMOSTAT OPENS.

- MECHANICAL NOTES:**
- AXIAL LOAD: 50 LBS MAX
 - RADIAL LOAD: 100 LBS MAX @ 1" FROM FACE
 - MOTOR SEALED TO IP65.
 - MOTOR WEIGHT: 23.3 LBS. [10.6 kg]
 - MOTOR FINISH: BLACK EPOXY
 - MOTOR OUTPUT SHAFT: STAINLESS STEEL
 - INCHES (MILLIMETERS)

ENCODER: (290-00052)
OH48-2000P6-L6-5V
FAIL SAFE BRAKE:
MIN HOLDING TORQUE: 240 IN-LBS
INPUT VOLTAGE: 24 VOLTS

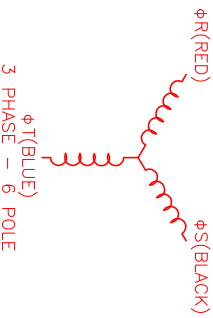
CONNECTION CHART

MOTOR/BRAKE CONNECTOR:
 PTO2E-16-8P(027)
 (270-00032)

ENCODER/THERM CONNECTOR:
 PTO2E-14-18P(027)
 (270-00024)

MOTOR/BRAKE	WIRE	WIRE LEADS
PIN	FUNCTION	WIRE COLOR
A	ΦS	RED
B	ΦT	BLACK
C	PE GND	BLUE
D	BRK SHLD	GRN/YEL
E	BRK (+)	-
F	BRK (-)	1N4007
G	-	-
H	-	-

ENC/THERM	WIRE	WIRE LEADS
PIN	FUNCTION	WIRE COLOR
T	GROUND	BLACK
K	+5VDC	RED
B	CH A	BLUE
C	CH A	BLUE/BLK
N	CH B	GREEN
P	CH B	GRN/BLK
M	CH Z	YELLOW
U	CH Z	YEL/BLK
E	CH U	BROWN
R	CH U	BRN/BLK
F	CH V	GRAY
S	CH V	GRAY/BLK
G	CH W	WHITE
H	CH W	WHT/BLK
D	GND/CABLE	SHLD
A	THERM	BLACK
L	THERM	BLACK
J	GND	GRN/YEL



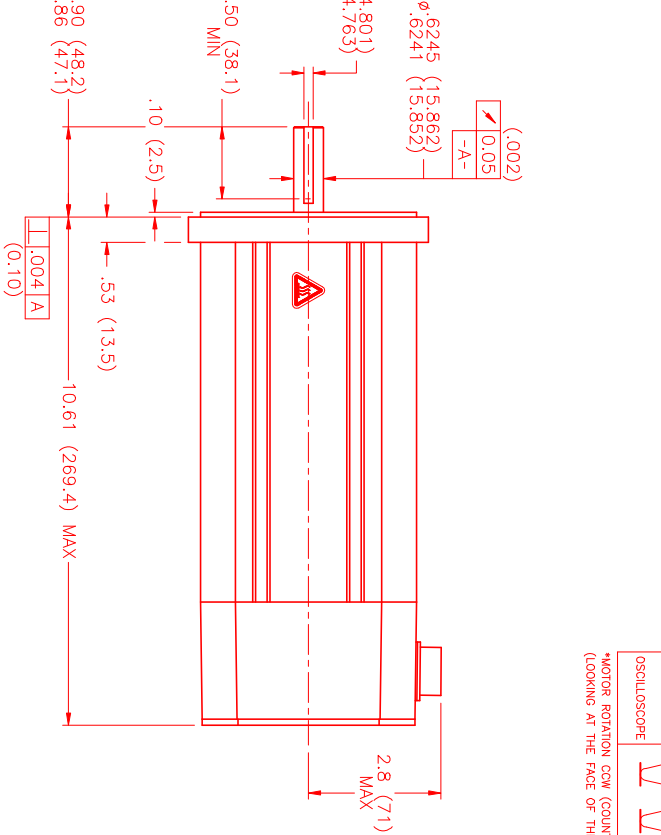
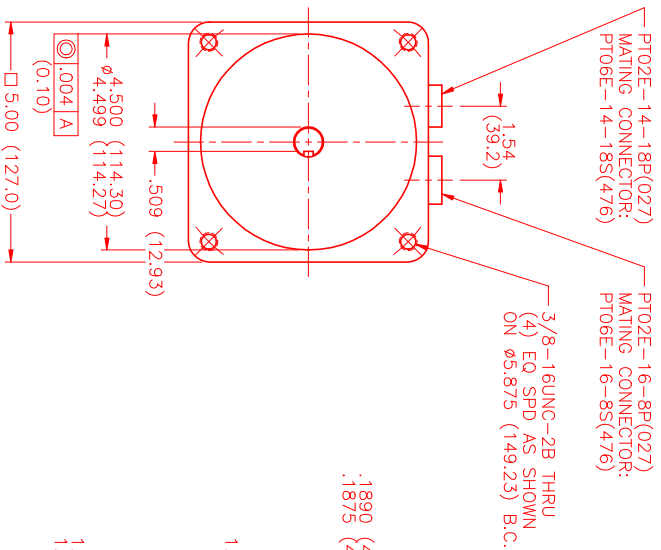
MOTOR & HALL POSITION CHART

HALL LEADS	BROWN	GRAY	WHITE
MOTOR LEADS	BLACK respect to RED	RED respect to BLUE	BLUE respect to BLACK
VIEW ON THE OSCILLOSCOPE	AAAF AAAA AAAA		

*MOTOR ROTATION CWM (COUNTER CLOCKWISE)
 (LOOKING AT THE FACE OF THE MOTOR)



WAVE REPRESENTING STATOR OUTPUT
 WAVE REPRESENTING HALL SENSOR



NO.	PART NUMBER	DESCRIPTION	QTY.
UNLDES	SPCS		
DATE:	7/13/99		
DESIGNER:	MVS		
CHECKED:			
APPROVED:			
SCALE:	1/2:1		

MVS
 Automation Division

REV.	DESCRIPTION	DATE	APPD.
PRELIMINARY		7/13/99	MVS

DATE: 7/13/99
 DRAWING NUMBER: MPM1141CTU6JN1R