

MOTOR DATA @ 460 VAC (TRAP)

MOTOR PARAMETERS	UNITS	VALUE
HORSEPOWER	HP RATED	2.1
KILOWATTS	KW RATED	1.6
MAX. OPERATING SPEED	N MAX	4200
SPEED @ RATED TORQUE	N RATED	3000
* CONTINUOUS RATED TORQUE @ 3000 RPM	IN-LBS [Nm]	45.0 [5.1]
* CONTINUOUS STALL TORQUE	IN-LBS [Nm]	54.0 [6.1]
CONTINUOUS LINE CURRENT	AMPS	4.4
PEAK TORQUE	IN-LBS [Nm]	189.1 [21.3]
PEAK CURRENT	AMPS	15.3
MAX. THEORETICAL ACCEL.	RAD/SEC ²	48,487
TORQUE SENSITIVITY	Kt [IN-LBS/AMP] [Nm/AMP]	12.4 [1.42]
BACK EMF (LINE TO LINE)	Vrms/krpm	110.0
D.C. RESISTANCE (P-P)	OHMS	3.2
INDUCTANCE (P-P)	MILLIHENRIES	24.0
ROTOR INERTIA W/BRAKE	Jm [IN-LBS-SEC ²] [Kg-M ²]	.00391 [0.0044]
STATIC FRICTION	Tf [IN-LBS] [Nm]	1.0 [1.1]

*25°C AMBIENT WITH A MAXIMUM CASE TEMPERATURE OF 100°C ON MOTOR. MOTOR MOUNTED ON A 12" X 12" X 1/2" ALUMINUM HEATSINK. THERMOSTAT IN STATOR WINDINGS WILL OPEN IF WINDING TEMPERATURE EXCEEDS 155°C. THIS ALLOWS FOR AN APPROXIMATE +10% HEADROOM IN THE CONTINUOUS TORQUE RATING BEFORE THERMOSTAT OPENS.

MECHANICAL NOTES:

- AXIAL LOAD: 50 LBS MAX
- RADIAL LOAD: 100 LBS MAX @ 1" FROM FACE
- MOTOR SEALED TO IP65.
- MOTOR WEIGHT: 23.5 LBS. [10.7 kg]
- MOTOR FINISH: BLACK EPOXY
- MOTOR OUTPUT SHAFT: STAINLESS STEEL
- MILLIMETERS (INCHES)

FAILURE BRAKE:

MIN HOLDING TORQUE: 240 IN-LBS
INPUT VOLTAGE: 24 VOLTS

CONNECTION CHART

MOTOR/BRAKE CONNECTOR:
PT02E-16-8P(027)

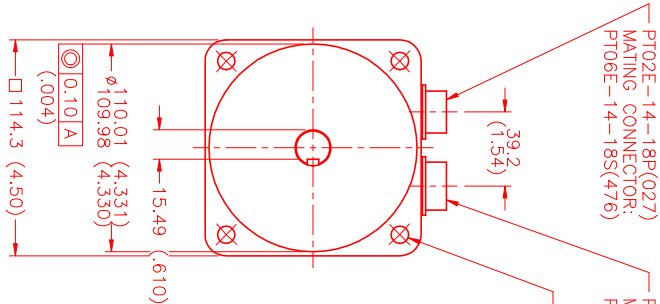
(270-00032)

RESOLVER/THERM CONNECTOR:
PT02E-14-18P(027)

(270-00024)

MOTOR/BRAKE	WIRE FUNCTION	WIRE COLOR	WIRE LEADS
A	ΦR	RED	RED
B	ΦS	BLACK	BLACK
C	ΦT	BLUE	YELLOW
D	PE GND	GRN/YEL	BLACK
E	BRK SHLD	-	RED
F	BRK (+)	DIODE	BLUE
G	BRK (-)	DIODE	YEL/WHI
H	-	-	RED/YEL

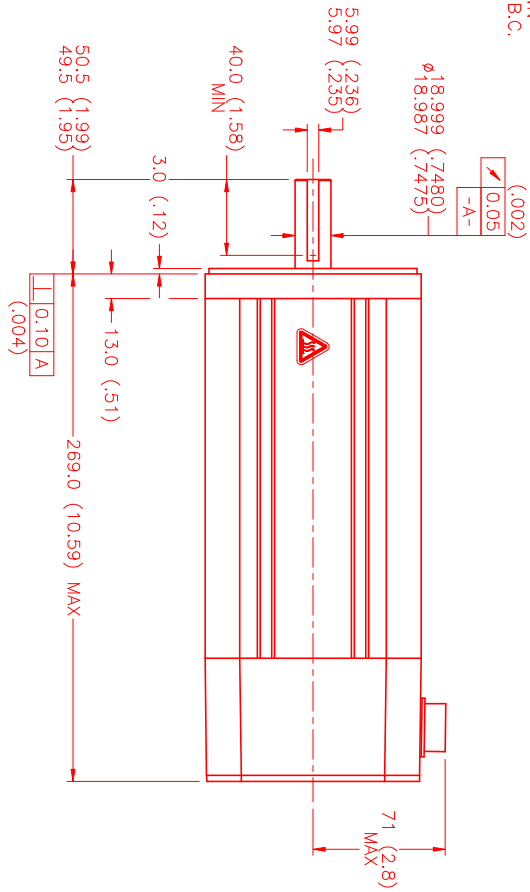
RES/THERM	WIRE FUNCTION	WIRE COLOR	WIRE LEADS
A	RES	RED	RED
B	THERM	BLACK	BLACK
C	THERM	BLACK	BLACK
D	THERM	BLACK	BLACK
E	THERM	BLACK	BLACK
F	THERM	BLACK	BLACK
G	THERM	BLACK	BLACK
H	THERM	BLACK	BLACK
I	THERM	BLACK	BLACK
J	THERM	BLACK	BLACK
K	THERM	BLACK	BLACK
L	THERM	BLACK	BLACK
M	THERM	BLACK	BLACK
T	THERM	BLACK	BLACK



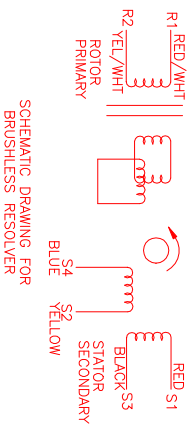
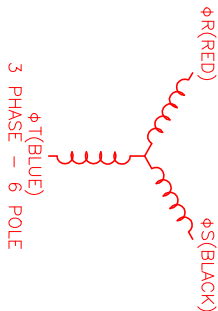
PT02E-14-18P(027)
MATING CONNECTOR:
PT06E-14-18S(476)

PT02E-16-8P(027)
MATING CONNECTOR:
PT06E-16-8S(476)

Ø9.18 (.362) THRU
(4) EQ. SPD AS SHOWN
ON Ø130.00 (5.118) B.C.



REV.	DESCRIPTION	DATE	APPD.
1	PRELIMINARY	1/11/99	MVS



SCHEMATIC DRAWING FOR
BRUSHLESS RESOLVER

NO.	PART NUMBER	DESCRIPTION	QTY.
UNLESS SPECIFIED			
DATE:	1/11/99		
DESIGNED BY:	MVS		
CHECKED BY:			
APPROVED BY:			

MVS
Automation Division

RESOLVER ASSEMBLY FOR 460VAC MOTOR
MATERIAL: "C" / 460 / MET / RES / CONN / BRK

SCALE: 1/2:1