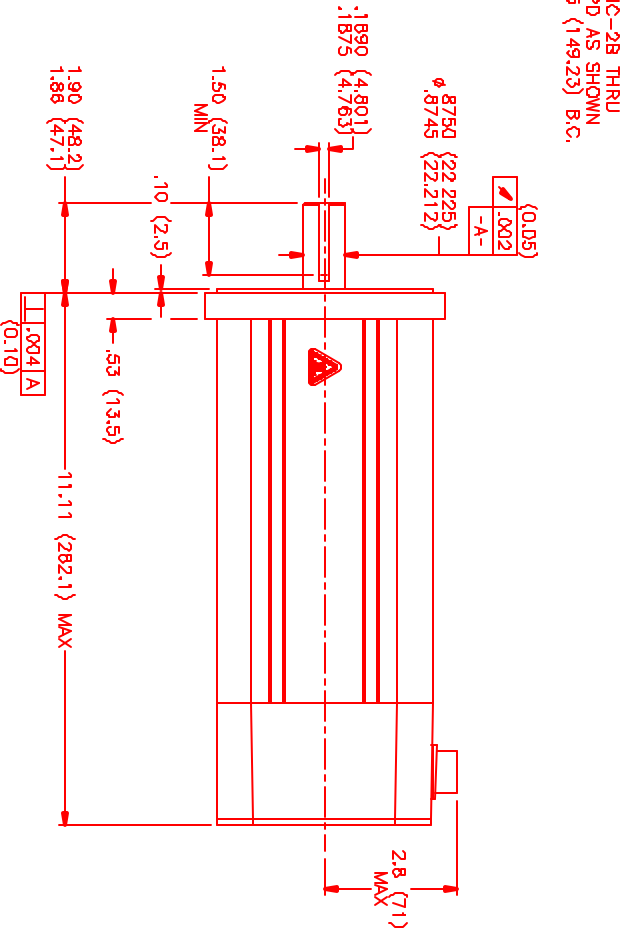
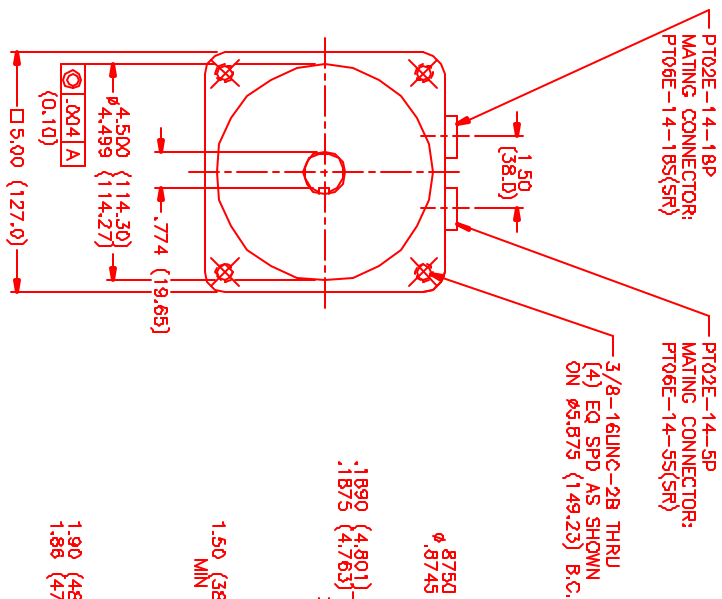


**MOTOR DATA @ 230 VAC (SINE)**

MOTOR PARAMETERS	UNITS	VALUE
MOTOR HORSEPOWER	HP RATED	3.3
KILOWATTS	KW RATED	2.5
MAX. OPERATING SPEED	N MAX	4200
SPEED @ RATED TORQUE	N RATED	3000
* CONTINUOUS RATED TORQUE	N-LEBS [Nm]	69.1 (7.9)
* CONTINUOUS STALL TORQUE	N-LEBS [Nm]	83.0 (9.3)
CONTINUOUS LINE CURRENT	AMPS (RMS/Φ)	9.3
PEAK TORQUE	Tpk	290.5 (32.7)
PEAK CURRENT	N-LEBS [Nm]	33.1
MAX. THEORETICAL ACCEL	AMPS (RMS/Φ)	44.015
TORQUE SENSITIVITY	RD/SEC*	8.81 (99)
BACK EMF (LINE TO LINE)	Vrms/Krpm	55.0
D.C. RESISTANCE (P-P)	Ω RMS	.40
INDUCTANCE (P-P)	MILLIHENRIES	2.8
ROTOR INERTIA	μm <sup>2</sup>	.00661 (0.0074)
STATIC FRICTION	N-LEBS [Nm]	1.4 (0.16)

\*25°C AMBIENT WITH A MAXIMUM CASE TEMPERATURE OF 100°C ON MOTOR. MOTOR MOUNTED ON A 12" X 12" X 1/2" ALUMINUM HEATSINK. THERMOSTAT IN STATOR WINDINGS WILL OPEN IF WINDING TEMPERATURE EXCEEDS 155°C. THIS ALLOWS FOR AN APPROXIMATE +10% HEADROOM IN THE CONTINUOUS TORQUE RATING BEFORE THERMOSTAT OPENS.

- MECHANICAL NOTES:**
1. AXIAL LOAD: 50 LBS MAX
  2. RADIAL LOAD: 100 LBS MAX @ 1" FROM FACE
  3. MOTOR SEALED TO IP65.
  4. MOTOR WEIGHT: 26.8 LBS [ 12.2 Kg ]
  5. MOTOR FINISH: BLACK EPOXY
  6. MOTOR OUTPUT SHAFT: STAINLESS STEEL
  7. INCHES (MILLIMETERS)

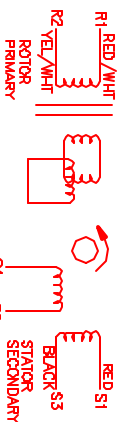


**CONNECTION CHART**  
MOTOR CONNECTOR:  
PT02E-14-5P  
(270-00026)

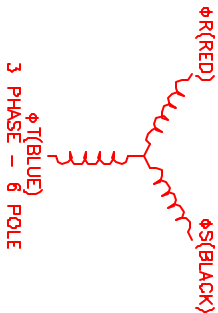
PIN	WIRE FUNCTION	WIRE COLOR
A	ΦR	RED
B	ΦS	BLACK
C	ΦT	BLUE
D	PE GND	GRN/YEL
E	-	-

**RESOLVER/THERM CONNECTOR:**  
PT02E-14-1BP  
(270-00024)

PIN	WIRE FUNCTION	WIRE COLOR
U	THERM	BLACK
N	THERM	BLACK
H	SIN	YELLOW
Q	COS GND	BLACK
S	COS	RED
F	SIN GND	BLUE
R	REF GND	YEL/WHIT
E	REF	RED/WHIT
D	RES SHLD	GRN/YEL
P	GND	GRN/YEL
A	-	-
B	-	-
C	-	-
J	-	-
K	-	-
L	-	-
M	-	-
T	-	-



SCHEMATIC DRAWING FOR BRUSHLESS RESOLVER



NO.	PART NUMBER	DESCRIPTION	QTY.
1	MPM1142ASG6G1N	MPS Systems Corporation Automation Division	1

REV.	DESCRIPTION	DATE	APP.
1	PRELIMINARY	1/14/00	LN

TITLE: MPM1142ASG6G1N