

MOTOR DATA @ 460 VAC (TRAP)

MOTOR PARAMETERS	UNITS	VALUE
HORSEPOWER	HP	13.1
KILOWATTS	KW	9.8
MAX. OPERATING SPEED	N MAX	3000
SPEED @ RATED TORQUE	N RATED	2400
* CONTINUOUS RATED TORQUE @ 2400 RPM	IN-LBS[Nm]	344.0[38.6]
* CONTINUOUS STALL TORQUE	IN-LBS[Nm]	400.0[44.9]
CONTINUOUS LINE CURRENT	AMPS	22.5
PEAK TORQUE	IN-LBS[Nm]	1200.0[134.8]
PEAK CURRENT	AMPS	67.4
MAX. THEORETICAL ACCEL.	RAD/SEC ²	24,194
TORQUE SENSITIVITY	Kt [IN-LBS/AMP][Nm/AMP]	17.6[2.0]
BACK EMF (LINE TO LINE)	Vrms/Krpm	158.0
D.C. RESISTANCE (P-P)	OHMS	1.41
INDUCTANCE (P-P)	MILLIHENRIES	15.5
ROTOR INERTIA W/BRAKE	Jm [IN-LBS-SEC ²][Kg-M ²]	.0496[.00560]
STATIC FRICTION	Tf [IN-LBS][Nm]	8.2[.92]

*25°C AMBIENT WITH A MAXIMUM CASE TEMPERATURE OF 100°C ON MOTOR. MOTOR MOUNTED ON A 14" X 14" X 14" X 3/4" ALUMINUM HEATSINK. THERMOSTAT IN STATOR WINDINGS WILL OPEN IF WINDING TEMPERATURE EXCEEDS 155°C. THIS ALLOWS FOR AN APPROXIMATE +10% HEADROOM IN THE CONTINUOUS TORQUE RATING BEFORE THERMOSTAT OPENS.

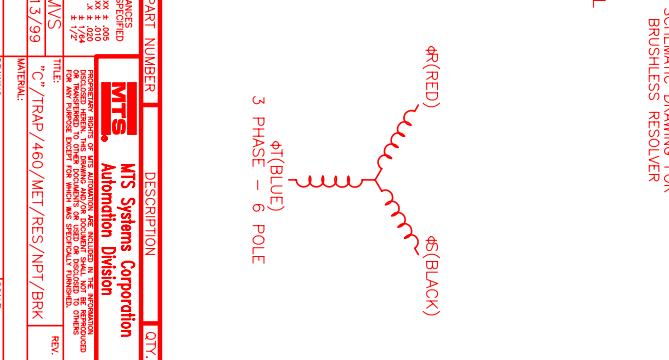
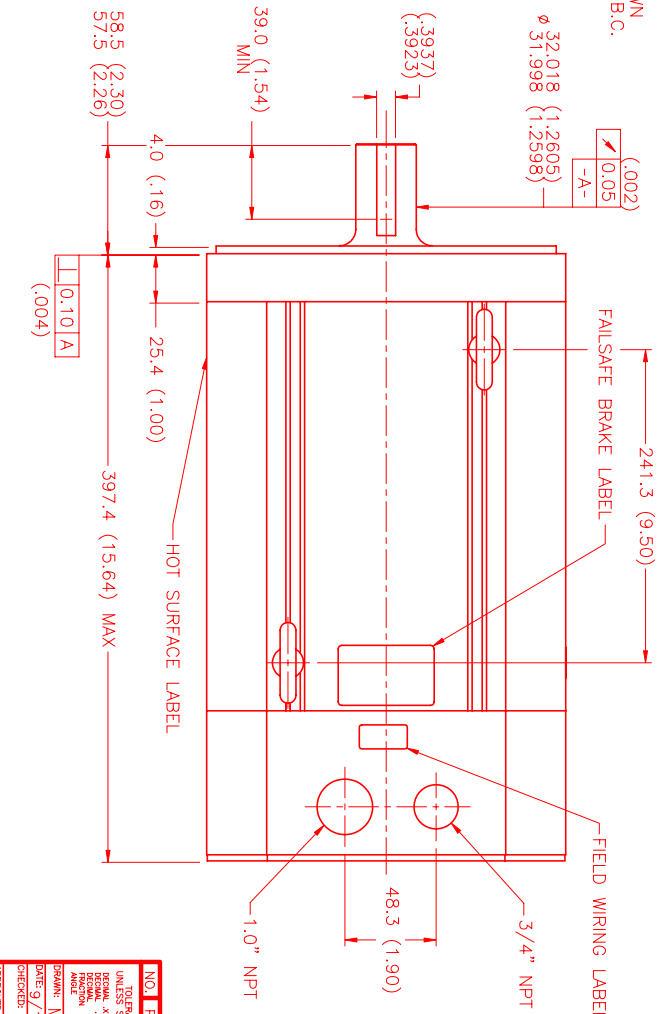
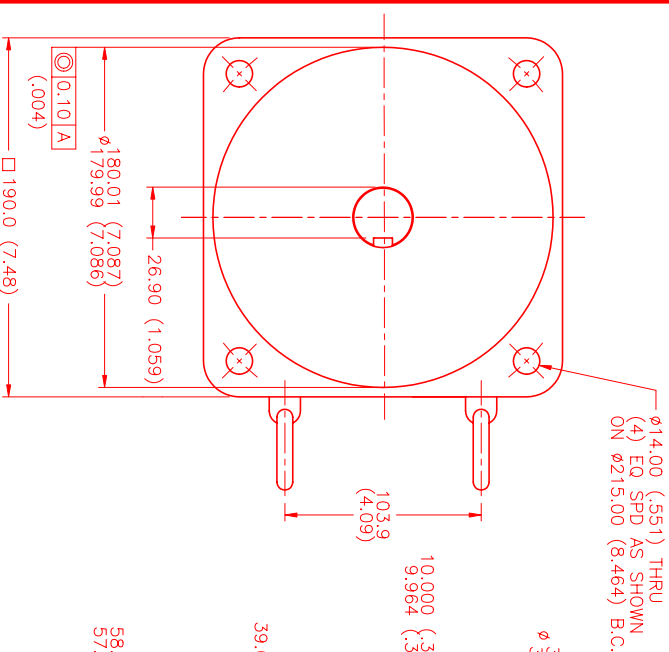
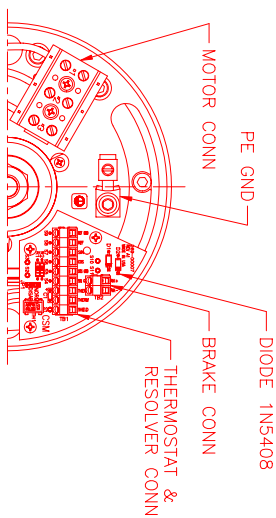
- MECHANICAL NOTES:**
- AXIAL LOAD: 100 LBS MAX
 - RADIAL LOAD: 250 LBS MAX @ 1" FROM FACE
 - MOTOR SEALED TO IP65.
 - MOTOR WEIGHT: 86 LBS. [39.0 kg]
 - MOTOR FINISH: BLACK EPOXY
 - MILLIMETERS (INCHES)

FAILSAFE BRAKE: (290-00025)
 MIN. HOLDING TORQUE: 90 FT-LBS.
 INPUT VOLTAGE: 24 VOLTS

CONNECTION CHART

MOTOR WIRE	LEADS	WIRE	WIRE
TERM	FUNCTION	COLOR	COLOR
1	ΦR	RED	RED
2	ΦS	BLACK	BLACK
3	ΦT	BLUE	BLUE
-	PE GND	-	-

RES/THERM/BRK	WIRE	WIRE	WIRE
TERM	FUNCTION	COLOR	COLOR
S11	BRK (+)	DIODE	DIODE
S10	BRK (-)	TN5408	TN5408
S9	REF GND	YEL/WHIT	YEL/WHIT
S8	REF	RED/WHIT	RED/WHIT
S7	SIN	YELLOW	YELLOW
S6	COS	RED	RED
S5	COS GND	BLACK	BLACK
S4	SIN GND	BLUE	BLUE
S3	THERM	BLACK	BLACK
S2	THERM	BLACK	BLACK
S1	GND/SHLD	GRN/YEL	GRN/YEL



SCHEMATIC DRAWING FOR BRUSHLESS RESOLVER

NO. PART NUMBER	DESCRIPTION	QTY.
UNLESS SPECIFIED		
DECIMAL: .005 & .006		
FRACTIONAL: 1/32, 1/16, 1/8, 1/4, 1/2		
ANGLE: 1/2°		
FORM: MYS		
DATE: 9/13/99		
CHECKED:		
APPROVED:		
DRAWING NUMBER: MPM1901CTU7G3R	SCALE: 1/2:1	

FILE: "C"/MET/RES/NPT/BRK	DRAWING NUMBER: MPM1901CTU7G3R		
REVISIONS			
REV.	DESCRIPTION	DATE	APP.
PRELIMINARY		10/7/99	ELS

