

MOTOR DATA @ 110 VAC (TRAP)

| MOTOR PARAMETERS | UNITS | VALUE |
|--------------------------------------|---|-------------------|
| HORSEPOWER | HP | .48 |
| KILOWATTS | KW | .35 |
| MAX. OPERATING SPEED | N. MAX RPM | 6000 |
| SPEED @ RATED TORQUE | N RATED RPM | 5000 |
| * CONTINUOUS RATED TORQUE @ 5000 RPM | IN-LBS/[Nm] | 6.0 [.68] |
| * CONTINUOUS STALL TORQUE | IN-LBS/[Nm] | 10.0 [1.12] |
| CONTINUOUS LINE CURRENT | AMPS | 5.0 |
| PEAK TORQUE | IN-LBS/[Nm] | 30.0 [3.4] |
| PEAK CURRENT | AMPS | 15.0 |
| MAX. THEORETICAL ACCEL. | RAD/SEC ² | 163,043 |
| TORQUE SENSITIVITY | Kt [IN-LBS/AMP/[Nm/AMP] | 2.0 [23] |
| BACK EMF (LINE TO LINE) | ±10% Vrms/Krpm | 17.8 |
| D.C. RESISTANCE (P-P) | ±10% OHMS | 3.1 |
| INDUCTANCE (P-P) | ±10% MILLIHENRIES | 5.1 |
| ROTOR INERTIA W/BRAKE | Jm [IN-LBS-SEC ² /[kg-M ²] | .000184 [.000207] |
| STATIC FRICTION | Tf [IN-LBS/[Nm] | .8 [.09] |

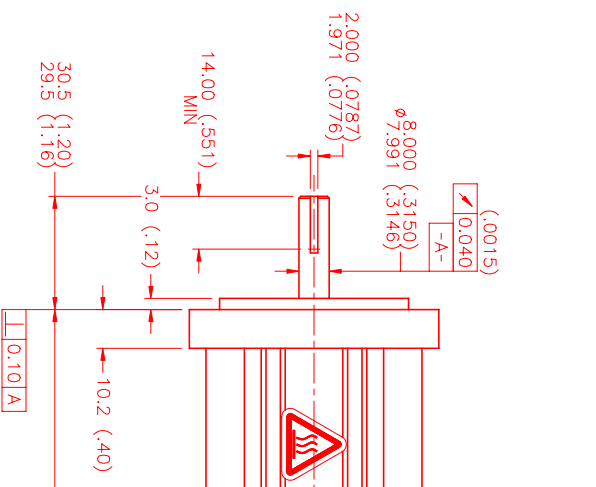
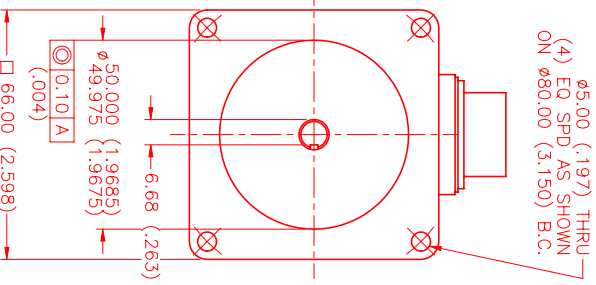
*25°C AMBIENT WITH A MAXIMUM CASE TEMPERATURE OF 100°C ON MOTOR. MOTOR MOUNTED ON A 10" X 10" X 10" X 1/4" ALUMINUM HEATSINK. THERMOSTAT IN STATOR WINDINGS WILL OPEN IF WINDING TEMPERATURE EXCEEDS 155°C. THIS ALLOWS FOR AN APPROXIMATE +10% HEADROOM IN THE CONTINUOUS TORQUE RATING BEFORE THERMOSTAT OPENS.

MECHANICAL NOTES:

1. AXIAL LOAD: 15 LBS MAX
2. RADIAL LOAD: 20 LBS MAX @ 1" FROM FACE
3. MOTOR SEALED TO IP65.
4. MOTOR WEIGHT: 4.6 LBS. [2.1 Kg]
5. MOTOR FINISH: BLACK EPOXY
6. MOTOR OUTPUT SHAFT: STAINLESS STEEL
7. MILLIMETERS (INCHES)

FAILSAFE BRAKE:

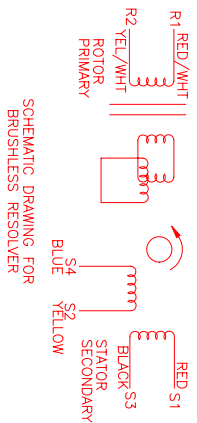
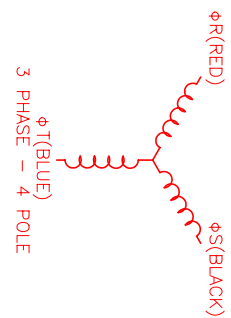
MIN HOLDING TORQUE: 10 IN-LBS
INPUT VOLTAGE: 24 VOLTS



CONNECTION CHART
MOTOR/THERM/RES/BRAKE CONNECTOR:
PT02E-14-18P(027)
(270-00024)

| MTR/THERM/RES/BRK | WIRE | WIRE LEADS |
|-------------------|----------|------------|
| PIN | FUNCTION | WIRE COLOR |
| A | φR | RED |
| B | φS | BLACK |
| C | φT | BLUE |
| D | PE GND | GRN/YEL |
| U | THERM | BLACK |
| N | THERM | BLACK |
| H | SIN | YELLOW |
| G | COS GND | BLACK |
| S | COS | RED |
| F | SIN GND | BLUE |
| R | REF GND | YEL/WHI |
| E | REF | RED/WHI |
| J | RES SHLD | GRN/YEL |
| K | BRK (+) | DIODE |
| L | BRK (-) | IN4007 |
| M | BRK SHLD | - |
| P | - | - |
| T | - | - |

| | | | |
|-------------|-------------|---------|-------|
| REV | DESCRIPTION | DATE | APPD. |
| PRELIMINARY | | 8/20/99 | MVS |



PT02E-14-18P(027)
MATING CONNECTOR:
PT06E-14-18S(476)



| | | | |
|------------------|---------------|-------------|-------|
| NO. | PART NUMBER | DESCRIPTION | QTY |
| UNLESS SPECIFIED | | | |
| DECIMAL | XXX.XXX | | |
| FRACTIONAL | 1/2 | | |
| ANGLE | 1/2° | | |
| ISSUED | MVS | | |
| DATE | 8/20/99 | | |
| CHECKED | | | |
| APPROVED | | | |
| DRAWING NUMBER | MPM664ATF7G1R | SCALE | 1/2:1 |

MTS
Automation Division