

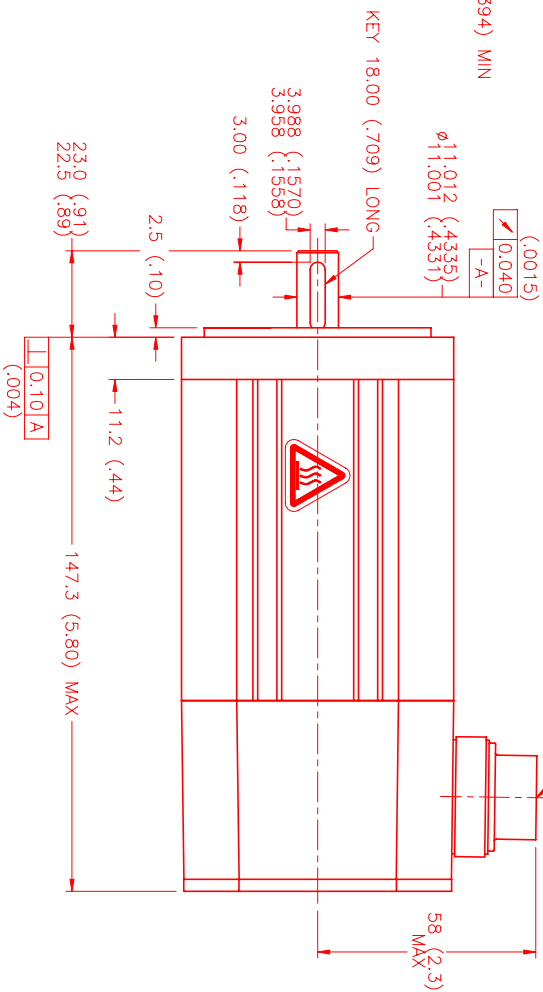
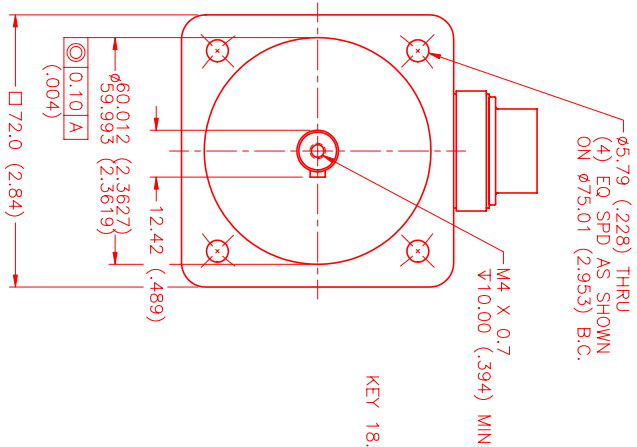
MOTOR DATA @ 110 VAC (TRAP)

MOTOR PARAMETERS	UNITS	VALUE
HORSEPOWER	HP	0.74
KILOWATTS	KW	0.55
MAX. OPERATING SPEED	N. MAX RPM	7000
SPEED @ RATED TORQUE	RPM	5000
* CONTINUOUS RATED TORQUE @ 5000 RPM	IN-LBS[Nm]	9.4[1.06]
* CONTINUOUS STALL TORQUE	IN-LBS[Nm]	11.3[1.28]
CONTINUOUS LINE CURRENT	AMPS	7.1
PEAK TORQUE	IN-LBS[Nm]	34.0[3.8]
PEAK CURRENT	AMPS	21.0
MAX. THEORETICAL ACCEL.	RAD/SEC ²	130,000
TORQUE SENSITIVITY	Kt IN-LBS/AMPI Nm/AMP	1.60[0.18]
BACK EMF (LINE TO LINE)	Vrms/Krpm	14.2
D.C. RESISTANCE (P-P)	OHMS	1.1
INDUCTANCE (P-P)	MILLIHENRIES	2.3
ROTOR INERTIA	Jm IN-LBS-SEC ² [Kg-M ²]	0.00027[0.000031]
STATIC FRICTION	Tf IN-LBS[Nm]	0.8[0.09]

*25°C AMBIENT WITH A MAXIMUM CASE TEMPERATURE OF 85°C ON MOTOR. MOTOR MOUNTED ON A 1/2" X 1/2" X 1/2" ALUMINUM HEATSINK. THERMOSTAT IN STATOR WINDINGS WILL OPEN IF WINDING TEMPERATURE EXCEEDS 155°C. THIS ALLOWS FOR AN APPROXIMATE +10% HEADROOM IN THE CONTINUOUS TORQUE RATING BEFORE THERMOSTAT OPENS.

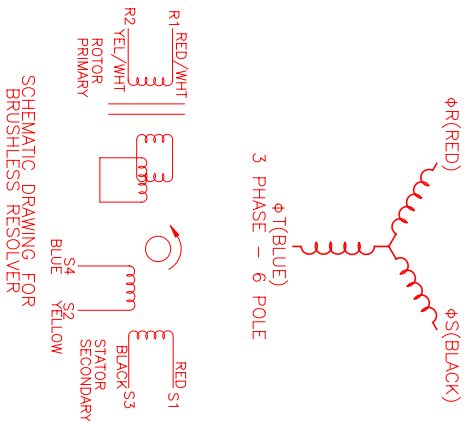
MECHANICAL NOTES:

- AXIAL LOAD: 20 LBS MAX
- RADIAL LOAD: 35 LBS MAX @ 1" FROM FACE
- MOTOR SEALED TO IP65.
- MOTOR WEIGHT: 4.3 LBS. [2.0 Kg]
- MOTOR FINISH: BLACK EPOXY
- MOTOR OUTPUT SHAFT: STAINLESS STEEL
- MILLIMETERS (INCHES)
- THIS MOTOR'S OUTPUT KEY IS A PRESS FIT.



CONNECTION CHART MOTOR/THERM/RESOLVER CONNECTOR: PT02E-14-18P(027) (270-00024)

MTR/THERM/RES	WIRE FUNCTION	WIRE COLOR	LEADS
A	φR	RED	
B	φS	BLACK	
C	φT	BLUE	
D	PE GND	GRN/YEL	
U	THERM	BLACK	
N	THERM	BLACK	
H	SIN	YELLOW	
G	COS GND	BLACK	
S	COS	RED	
F	SIN GND	BLUE	
R	REF GND	YEL/WHI	
E	REF	RED/WHI	
J	RES SHLD	GRN/YEL	
K	-	-	
L	-	-	
M	-	-	
P	-	-	
T	-	-	



SCHEMATIC DRAWING FOR
BRUSHLESS RESOLVER

REV.	DESCRIPTION	DATE	APPD.
PRELIMINARY		10/22/01	LIN

MTS-**A**/TRAP/110/MET/RES/CONN Drawing Number MPM722ATF7G1N

REVISIONS

NO.	PART NUMBER	DESCRIPTION	QTY.
UNLESS SPECIFIED			

DESIGN: MPM # 205	DATE: 6/19/01	SCALE: 1:1
DRG. NO: 205	TITLE: "A"/TRAP/110/MET/RES/CONN	
REV. 1		
REV. 2		
REV. 3		
REV. 4		
REV. 5		
REV. 6		
REV. 7		
REV. 8		
REV. 9		
REV. 10		
REV. 11		
REV. 12		
REV. 13		
REV. 14		
REV. 15		
REV. 16		
REV. 17		
REV. 18		
REV. 19		
REV. 20		
REV. 21		
REV. 22		
REV. 23		
REV. 24		
REV. 25		
REV. 26		
REV. 27		
REV. 28		
REV. 29		
REV. 30		
REV. 31		
REV. 32		
REV. 33		
REV. 34		
REV. 35		
REV. 36		
REV. 37		
REV. 38		
REV. 39		
REV. 40		
REV. 41		
REV. 42		
REV. 43		
REV. 44		
REV. 45		
REV. 46		
REV. 47		
REV. 48		
REV. 49		
REV. 50		
REV. 51		
REV. 52		
REV. 53		
REV. 54		
REV. 55		
REV. 56		
REV. 57		
REV. 58		
REV. 59		
REV. 60		
REV. 61		
REV. 62		
REV. 63		
REV. 64		
REV. 65		
REV. 66		
REV. 67		
REV. 68		
REV. 69		
REV. 70		
REV. 71		
REV. 72		
REV. 73		
REV. 74		
REV. 75		
REV. 76		
REV. 77		
REV. 78		
REV. 79		
REV. 80		
REV. 81		
REV. 82		
REV. 83		
REV. 84		
REV. 85		
REV. 86		
REV. 87		
REV. 88		
REV. 89		
REV. 90		
REV. 91		
REV. 92		
REV. 93		
REV. 94		
REV. 95		
REV. 96		
REV. 97		
REV. 98		
REV. 99		
REV. 100		