

MOTOR DATA @ 230 VAC (SINE)

MOTOR PARAMETERS	UNITS	VALUE
HORSEPOWER	HP	0.74
KILOWATTS	KW	0.55
MAX. OPERATING SPEED	N. MAX RPM	7000
SPEED @ RATED TORQUE	N RATED RPM	5000
* CONTINUOUS RATED TORQUE @ 5000 RPM	IN-LBS[Nm]	9.4[1.1]
* CONTINUOUS STALL TORQUE	IN-LBS[Nm]	11.3[1.28]
CONTINUOUS LINE CURRENT	AMPS[RMS/φ]	2.7
PEAK TORQUE	IN-LBS[Nm]	34.0[3.8]
PEAK CURRENT	AMPS[RMS/φ]	8.2
MAX. THEORETICAL ACCEL.	RAD/SEC ²	123,926
TORQUE SENSITIVITY	Kt IN-LBS/AMP[RMS/φ]/Nm/AMP[RMS/φ]	4.12[0.465]
BACK EMF (LINE TO LINE)	Vrms/Krpm	25.9
D.C. RESISTANCE (P-P)	OHMS	3.7
INDUCTANCE (P-P)	MILLIHENRIES	7.3
ROTOR INERTIA	Jm [IN-LBS-SEC ²] [Kg-M ²]	0.00027[0.000031]
STATIC FRICTION	Tf [IN-LBS] [Nm]	0.8[0.09]

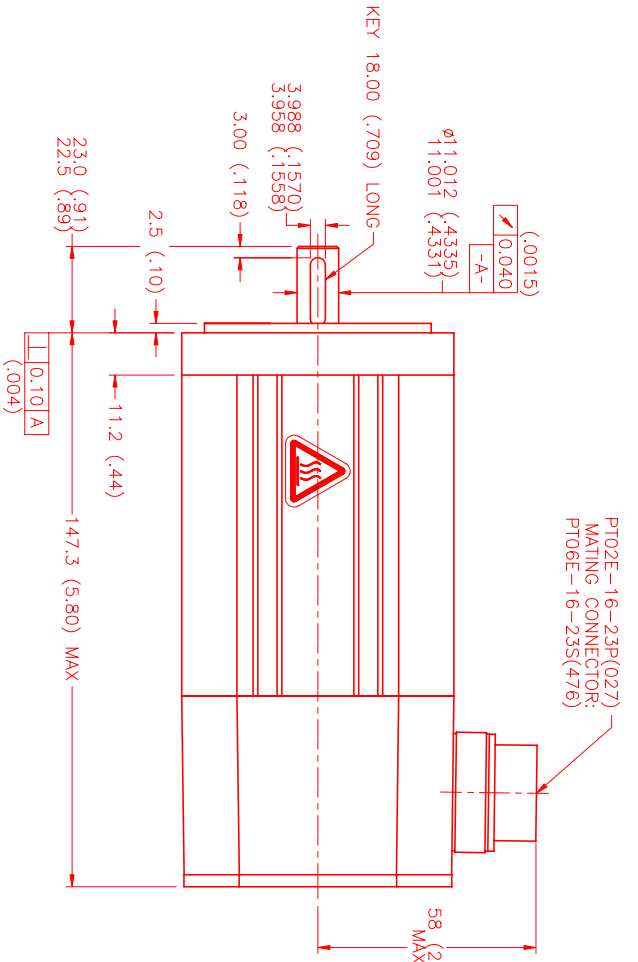
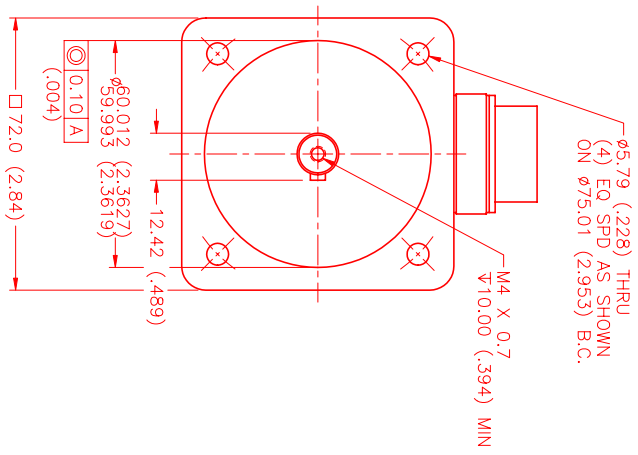
*25°C AMBIENT WITH A MAXIMUM CASE TEMPERATURE OF 85°C ON MOTOR. MOTOR MOUNTED ON A 1/2" X 1/2" X 1/2" ALUMINUM HEAT SINK. THERMOSTAT IN STATOR WINDINGS WILL OPEN IF WINDING TEMPERATURE EXCEEDS 155°C. THIS ALLOWS FOR AN APPROXIMATE +10% HEADROOM IN THE CONTINUOUS TORQUE RATING BEFORE THERMOSTAT OPENS.

MECHANICAL NOTES:

- AXIAL LOAD: 20 LBS MAX
- RADIAL LOAD: 35 LBS MAX @ 1" FROM FACE
- MOTOR SEALED TO IP65.
- MOTOR WEIGHT: 4.1 LBS. [1.9 Kg]
- MOTOR FINISH: BLACK EPOXY
- MOTOR OUTPUT SHAFT: STAINLESS STEEL
- MILLIMETERS (INCHES)
- THIS MOTOR'S OUTPUT KEY IS A PRESS FIT.

ENCODER: (290-00157)

OH35-2000P6-L6-5V



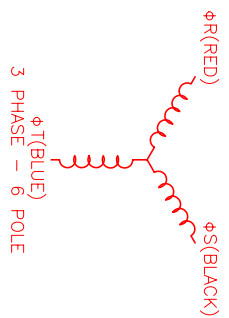
CONNECTION CHART MOTOR/ENCODER/THERM CONNECTOR: PT02E-16-23P(027) (270-00219)

ENC/THERM WIRE LEADS	WIRE FUNCTION	WIRE COLOR
T	GROUND	BLACK
F	+5VDC	RED
U	CH A	BLUE
G	CH A'	BLUE/BLK
V	CH B	GREEN
H	CH B'	GRN/BLK
W	CH Z	YELLOW
J	CH U	BROWN
K	CH U'	BRN/BLK
X	CH V	GRAY
L	CH V'	GRAY/BLK
Y	CH W	WHITE
M	CH W'	WHT/BLK
N	GND/CABLE	SHLD
S	THERM	BLACK
R	THERM	BLACK
P	-	-
Z	-	-

MOTOR WIRE LEADS	WIRE FUNCTION	WIRE COLOR
A	φR	RED
B	φS	BLACK
C	φT	BLUE
D	PE GND	GRN/YEL



MOTOR & HALL POSITION CHART
HALL LEADS: BROWN, GRAY, WHITE
MOTOR LEADS: BLACK respect to RED, RED respect to BLUE, BLUE respect to BLACK
VIEW ON THE OSCILLOSCOPE
*MOTOR ROTATION CCW (COUNTER CLOCKWISE)
(LOOKING AT THE FACE OF THE MOTOR)
WAVE REPRESENTING STATOR OUTPUT
WAVE REPRESENTING HALL SENSOR



REV. 1	DESCRIPTION	DATE	APP'D.
PRELIMINARY		6/11/01	AJS

NO. 1	PART NUMBER	DESCRIPTION	QTY.
UNLESS SPECIFIED			
DECIMAL: max # 305			
FRACTIONAL: max # 400			
ANGLES: max # 1/2			
FORM: AIS			
DATE: 6/11/01			
CHECKED:			
APPROVED:			
DRAWING NUMBER: MPM722BSG7JN1N			
SCALE: 1:1			