

### MOTOR DATA @ 230 VAC (SINE)

MOTOR PARAMETERS	UNITS	VALUE
HORSEPOWER	HP	1.62
KILOWATTS	KW	1.20
MAX. OPERATING SPEED	N. MAX RPM	5000
SPEED @ RATED TORQUE	N RATED RPM	4000
* CONTINUOUS RATED TORQUE @ 4000 RPM	IN-LBS(Nm)	25.5(2.9)
* CONTINUOUS STALL TORQUE	IN-LBS(Nm)	30.0(3.4)
CONTINUOUS LINE CURRENT	AMPS(RMS/φ)	5.2
PEAK TORQUE	IN-LBS(Nm)	105.0(11.9)
PEAK CURRENT	AMPS(RMS/φ)	18.9
MAX. THEORETICAL ACCEL.	RAD/SEC <sup>2</sup>	105,954
TORQUE SENSITIVITY	Kt [IN-LBS/AMP(RMS/φ)](Nm/AMP(RMS/φ))	5.8(.661)
BACK EMF (LINE TO LINE)	Vrms/Krpm	36.6
D.C. RESISTANCE (P-P)	OHMS	1.5
INDUCTANCE (P-P)	MILLIHENRIES	5.1
ROTOR INERTIA	Jm [IN-LBS-SEC <sup>2</sup> ](Kg-M <sup>2</sup> )	.000991(.0001116)
STATIC FRICTION	Tf [IN-LBS(Nm)]	0.5(0.06)

\*25°C AMBIENT WITH A MAXIMUM CASE TEMPERATURE OF 100°C ON MOTOR. MOTOR MOUNTED ON A 10" X 10" X 1/4" ALUMINUM HEATSINK. THERMOSTAT IN STATOR WINDINGS WILL OPEN IF WINDING TEMPERATURE EXCEEDS 155°C. THIS ALLOWS FOR AN APPROXIMATE +10% HEADROOM IN THE CONTINUOUS TORQUE RATING BEFORE THERMOSTAT OPENS.

#### MECHANICAL NOTES:

- AXIAL LOAD: 25 LBS MAX
- RADIAL LOAD: 40 LBS MAX @ 1" FROM FACE
- MOTOR SEALED TO IP65.
- MOTOR WEIGHT: 9.6 LBS. [ 4.4 Kg]
- MOTOR FINISH: BLACK EPOXY
- MOTOR OUTPUT SHAFT: STAINLESS STEEL
- MILLIMETERS (INCHES)

ENCODER: (290-00107)  
OH48-4096P6-L6-5V

#### CONNECTION CHART

MOTOR CONNECTOR:  
PT02E-14-5P(027)  
(270-00026)

PIN	WIRE FUNCTION	WIRE COLOR
A	φR	RED
B	φS	BLACK
C	φT	BLUE
D	PE GND	GRN/YEL.
E	-	-

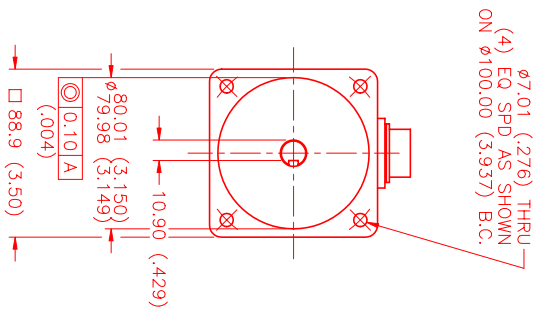
ENCODER/THERM CONNECTOR:  
PT02E-14-18P(027)  
(270-00024)

PIN	WIRE FUNCTION	WIRE COLOR
T	GROUND	BLACK
K	+5VDC	RED
B	CH A	BLUE
C	CH A	BLUE/BLK
N	CH B	GREEN
P	CH B	GRN/BLK
M	CH Z	YELLOW
U	CH Z	YEL/BLK
E	CH U	BROWN
R	CH U	BRN/BLK
F	CH V	GRAY
S	CH V	GRAY/BLK
G	CH W	WHITE
H	CH W	WHT/BLK
D	GND/CABLE	SHLD
A	THERM	BLACK
L	THERM	BLACK
J	GND	GRN/YEL

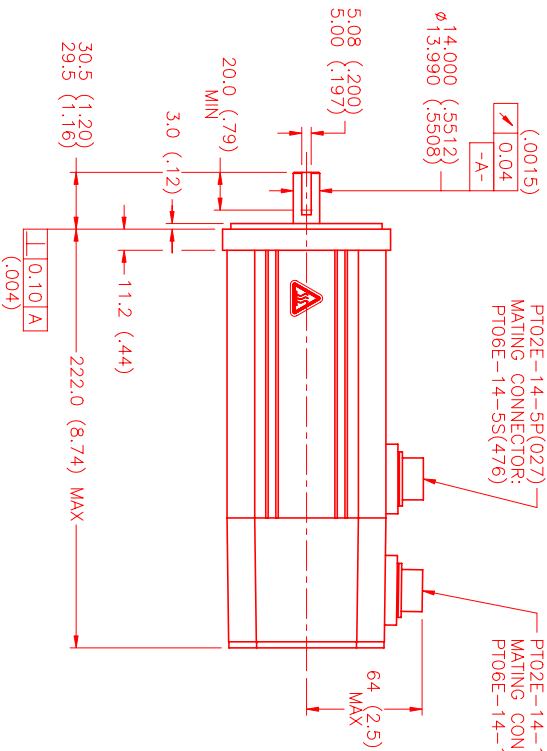
VIEW	HALL LEADS	MOTOR LEADS
ON THE OSCILLOSCOPE	BLACK	BROWN
	RED	GRAY
	BLUE	WHITE
	BLACK	BLACK

MOTOR & HALL POSITION CHART

\*MOTOR ROTATION CCW (COUNTER CLOCKWISE)  
(LOOKING AT THE FACE OF THE MOTOR)

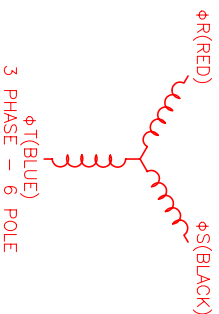


φ7.01 (.276) THRU  
(4) EQ SPD AS SHOWN  
ON φ100.00 (3.937) B.C.



PT02E-14-5P(027)  
MATING CONNECTOR:  
PT06E-14-5S(476)

PT02E-14-18P(027)  
MATING CONNECTOR:  
PT06E-14-18S(476)



NO.	PART NUMBER	DESCRIPTION	QTY.
1	290-00107	ENCODER	1
2	4096P6-L6-5V	ENCODER	1
3	290-00107	ENCODER	1
4	4096P6-L6-5V	ENCODER	1
5	290-00107	ENCODER	1
6	4096P6-L6-5V	ENCODER	1
7	290-00107	ENCODER	1
8	4096P6-L6-5V	ENCODER	1
9	290-00107	ENCODER	1
10	4096P6-L6-5V	ENCODER	1
11	290-00107	ENCODER	1
12	4096P6-L6-5V	ENCODER	1
13	290-00107	ENCODER	1
14	4096P6-L6-5V	ENCODER	1
15	290-00107	ENCODER	1
16	4096P6-L6-5V	ENCODER	1
17	290-00107	ENCODER	1
18	4096P6-L6-5V	ENCODER	1
19	290-00107	ENCODER	1
20	4096P6-L6-5V	ENCODER	1
21	290-00107	ENCODER	1
22	4096P6-L6-5V	ENCODER	1
23	290-00107	ENCODER	1
24	4096P6-L6-5V	ENCODER	1
25	290-00107	ENCODER	1
26	4096P6-L6-5V	ENCODER	1
27	290-00107	ENCODER	1
28	4096P6-L6-5V	ENCODER	1
29	290-00107	ENCODER	1
30	4096P6-L6-5V	ENCODER	1
31	290-00107	ENCODER	1
32	4096P6-L6-5V	ENCODER	1
33	290-00107	ENCODER	1
34	4096P6-L6-5V	ENCODER	1
35	290-00107	ENCODER	1
36	4096P6-L6-5V	ENCODER	1
37	290-00107	ENCODER	1
38	4096P6-L6-5V	ENCODER	1
39	290-00107	ENCODER	1
40	4096P6-L6-5V	ENCODER	1
41	290-00107	ENCODER	1
42	4096P6-L6-5V	ENCODER	1
43	290-00107	ENCODER	1
44	4096P6-L6-5V	ENCODER	1
45	290-00107	ENCODER	1
46	4096P6-L6-5V	ENCODER	1
47	290-00107	ENCODER	1
48	4096P6-L6-5V	ENCODER	1
49	290-00107	ENCODER	1
50	4096P6-L6-5V	ENCODER	1
51	290-00107	ENCODER	1
52	4096P6-L6-5V	ENCODER	1
53	290-00107	ENCODER	1
54	4096P6-L6-5V	ENCODER	1
55	290-00107	ENCODER	1
56	4096P6-L6-5V	ENCODER	1
57	290-00107	ENCODER	1
58	4096P6-L6-5V	ENCODER	1
59	290-00107	ENCODER	1
60	4096P6-L6-5V	ENCODER	1
61	290-00107	ENCODER	1
62	4096P6-L6-5V	ENCODER	1
63	290-00107	ENCODER	1
64	4096P6-L6-5V	ENCODER	1
65	290-00107	ENCODER	1
66	4096P6-L6-5V	ENCODER	1
67	290-00107	ENCODER	1
68	4096P6-L6-5V	ENCODER	1
69	290-00107	ENCODER	1
70	4096P6-L6-5V	ENCODER	1
71	290-00107	ENCODER	1
72	4096P6-L6-5V	ENCODER	1
73	290-00107	ENCODER	1
74	4096P6-L6-5V	ENCODER	1
75	290-00107	ENCODER	1
76	4096P6-L6-5V	ENCODER	1
77	290-00107	ENCODER	1
78	4096P6-L6-5V	ENCODER	1
79	290-00107	ENCODER	1
80	4096P6-L6-5V	ENCODER	1
81	290-00107	ENCODER	1
82	4096P6-L6-5V	ENCODER	1
83	290-00107	ENCODER	1
84	4096P6-L6-5V	ENCODER	1
85	290-00107	ENCODER	1
86	4096P6-L6-5V	ENCODER	1
87	290-00107	ENCODER	1
88	4096P6-L6-5V	ENCODER	1
89	290-00107	ENCODER	1
90	4096P6-L6-5V	ENCODER	1
91	290-00107	ENCODER	1
92	4096P6-L6-5V	ENCODER	1
93	290-00107	ENCODER	1
94	4096P6-L6-5V	ENCODER	1
95	290-00107	ENCODER	1
96	4096P6-L6-5V	ENCODER	1
97	290-00107	ENCODER	1
98	4096P6-L6-5V	ENCODER	1
99	290-00107	ENCODER	1
100	4096P6-L6-5V	ENCODER	1

REV.	DESCRIPTION	DATE	APP.
PRELIMINARY		11/27/00	LIN

NO.	PART NUMBER	DESCRIPTION	QTY.
1	290-00107	ENCODER	1
2	4096P6-L6-5V	ENCODER	1
3	290-00107	ENCODER	1
4	4096P6-L6-5V	ENCODER	1
5	290-00107	ENCODER	1
6	4096P6-L6-5V	ENCODER	1
7	290-00107	ENCODER	1
8	4096P6-L6-5V	ENCODER	1
9	290-00107	ENCODER	1
10	4096P6-L6-5V	ENCODER	1
11	290-00107	ENCODER	1
12	4096P6-L6-5V	ENCODER	1
13	290-00107	ENCODER	1
14	4096P6-L6-5V	ENCODER	1
15	290-00107	ENCODER	1
16	4096P6-L6-5V	ENCODER	1
17	290-00107	ENCODER	1
18	4096P6-L6-5V	ENCODER	1
19	290-00107	ENCODER	1
20	4096P6-L6-5V	ENCODER	1
21	290-00107	ENCODER	1
22	4096P6-L6-5V	ENCODER	1
23	290-00107	ENCODER	1
24	4096P6-L6-5V	ENCODER	1
25	290-00107	ENCODER	1
26	4096P6-L6-5V	ENCODER	1
27	290-00107	ENCODER	1
28	4096P6-L6-5V	ENCODER	1
29	290-00107	ENCODER	1
30	4096P6-L6-5V	ENCODER	1
31	290-00107	ENCODER	1
32	4096P6-L6-5V	ENCODER	1
33	290-00107	ENCODER	1
34	4096P6-L6-5V	ENCODER	1
35	290-00107	ENCODER	1
36	4096P6-L6-5V	ENCODER	1
37	290-00107	ENCODER	1
38	4096P6-L6-5V	ENCODER	1
39	290-00107	ENCODER	1
40	4096P6-L6-5V	ENCODER	1
41	290-00107	ENCODER	1
42	4096P6-L6-5V	ENCODER	1
43	290-00107	ENCODER	1
44	4096P6-L6-5V	ENCODER	1
45	290-00107	ENCODER	1
46	4096P6-L6-5V	ENCODER	1
47	290-00107	ENCODER	1
48	4096P6-L6-5V	ENCODER	1
49	290-00107	ENCODER	1
50	4096P6-L6-5V	ENCODER	1
51	290-00107	ENCODER	1
52	4096P6-L6-5V	ENCODER	1
53	290-00107	ENCODER	1
54	4096P6-L6-5V	ENCODER	1
55	290-00107	ENCODER	1
56	4096P6-L6-5V	ENCODER	1
57	290-00107	ENCODER	1
58	4096P6-L6-5V	ENCODER	1
59	290-00107	ENCODER	1
60	4096P6-L6-5V	ENCODER	1
61	290-00107	ENCODER	1
62	4096P6-L6-5V	ENCODER	1
63	290-00107	ENCODER	1
64	4096P6-L6-5V	ENCODER	1
65	290-00107	ENCODER	1
66	4096P6-L6-5V	ENCODER	1
67	290-00107	ENCODER	1
68	4096P6-L6-5V	ENCODER	1
69	290-00107	ENCODER	1
70	4096P6-L6-5V	ENCODER	1
71	290-00107	ENCODER	1
72	4096P6-L6-5V	ENCODER	1
73	290-00107	ENCODER	1
74	4096P6-L6-5V	ENCODER	1
75	290-00107	ENCODER	1
76	4096P6-L6-5V	ENCODER	1
77	290-00107	ENCODER	1
78	4096P6-L6-5V	ENCODER	1
79	290-00107	ENCODER	1
80	4096P6-L6-5V	ENCODER	1
81	290-00107	ENCODER	1
82	4096P6-L6-5V	ENCODER	1
83	290-00107	ENCODER	1
84	4096P6-L6-5V	ENCODER	1
85	290-00107	ENCODER	1
86	4096P6-L6-5V	ENCODER	1
87	290-00107	ENCODER	1