

GPDM Quick Reference Guide

NOTE: The Gemini Power Dissipation Module (GPDM) is designed for use with GV-U3n/U6n/U12n drives only. Do not use the GPDM with other Gemini drives.

Connection Instructions



WARNING



Sheet metal and exhaust air at the top of the enclosure are hot. Avoid contact.



WARNING

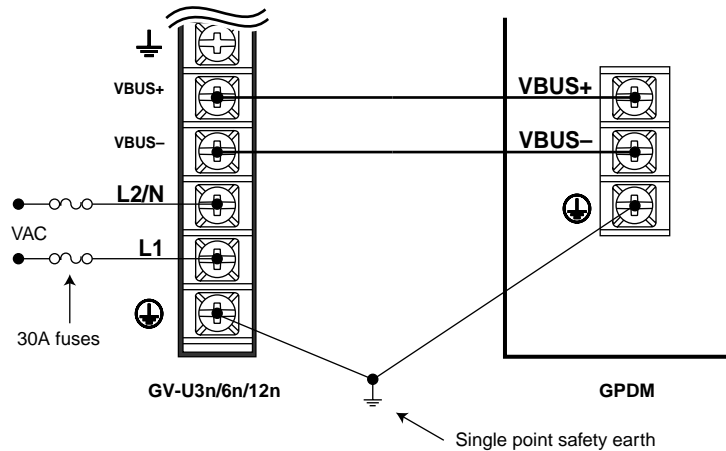


V BUS+ and V BUS- terminals may be at hazardous voltages for up to 30 seconds after power is removed.

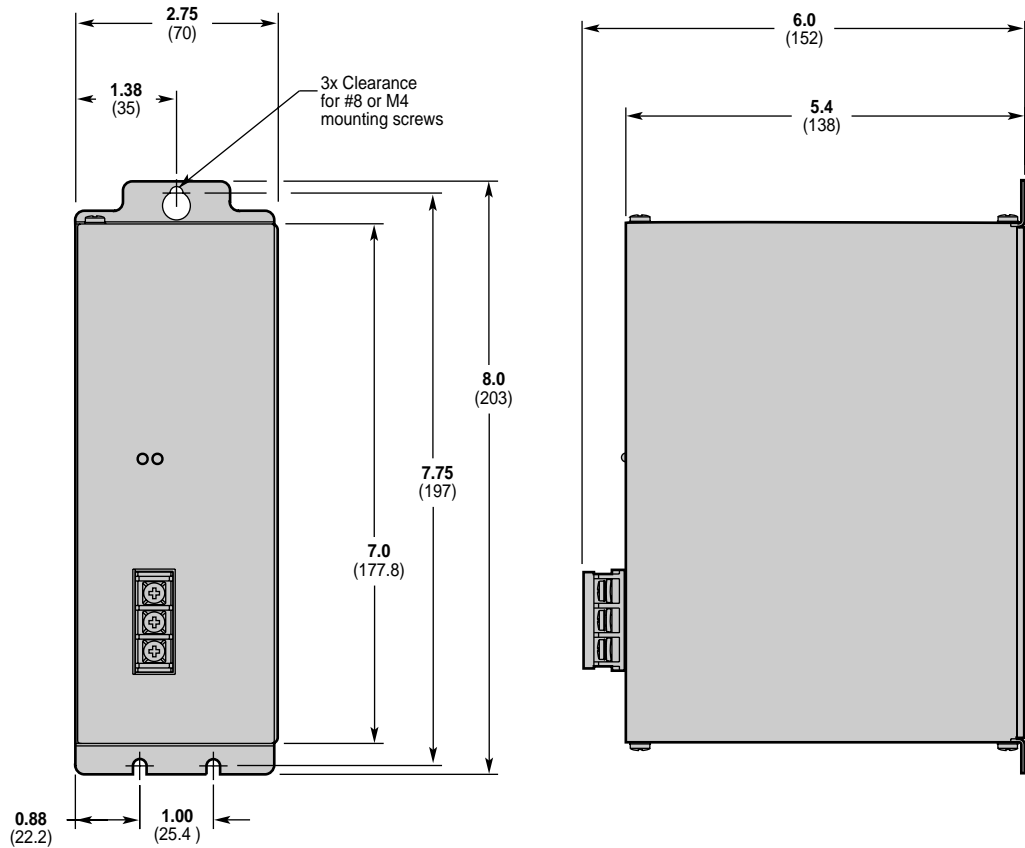
Connecting the GPDM

1. Connect *only* Gemini GV-U3n/U6n/U12n drives to the GPDM.
2. Connect drive V BUS+ terminals to V BUS+ on the GPDM
3. Connect drive V BUS- terminals to V BUS- on the GPDM
4. Connect protective conductor terminals on drive and GPDM to a single point safety earth.
5. Connections between drive and GPDM should be less than 12 inches (300 mm). Use 14 AWG (2.5 mm²) or greater diameter wire.

The next figure shows a typical installation.



GPDM dimensions.



Dimensions – GPDM Power Dissipation Module

GPDM Specifications

Activation Conditions:	Turn on: 398VDC Turn off: 380VDC
Resistance:	Six 100 ohm resistors in parallel (16.7 ohm equivalent)
Continuous Dissipation:	300W in 25°C ambient
Maximum Dissipation:	9KW
Maximum Pulse Energy:	13KJ (pulse rating of resistors, repeatable, not to exceed continuous rating)

LED Color Code:

Left:	Right:	Status:
Green	Off	ready
Green	Yellow*	active
Red	Off	fault (max. temperature, duty cycle, or pulse exceeded)

*Yellow LED may flash or be continuously illuminated until GPDM stops dissipating